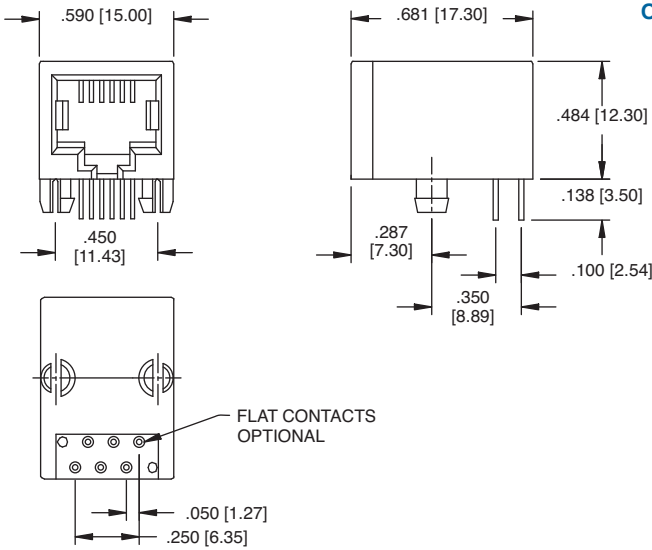


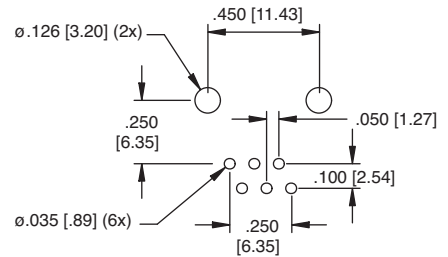
Ordering Information pg. 9

**TYPE 9**

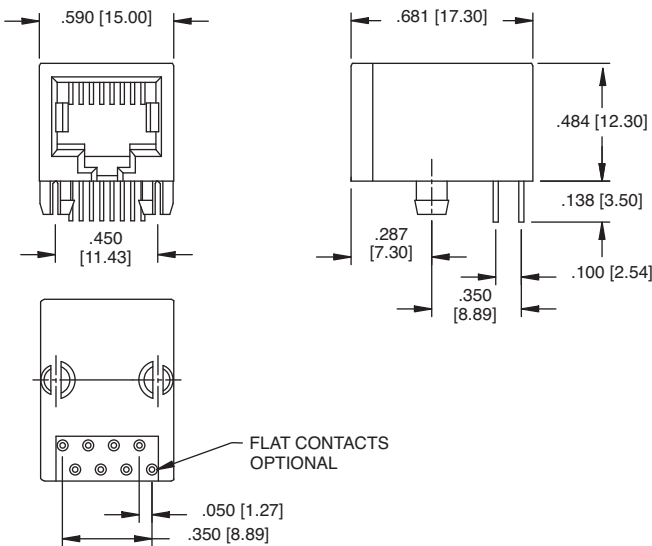
**6P4C  
6P6C**



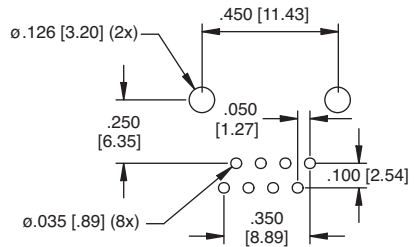
**MTJ-669X1**



**Recommended PCB Layout**

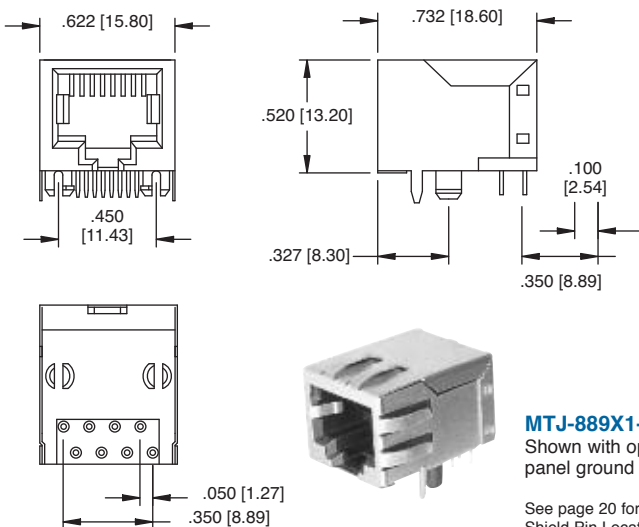


**MTJ-889X1**



**Recommended PCB Layout**

**TYPE 9  
8P8C  
SHIELDED**



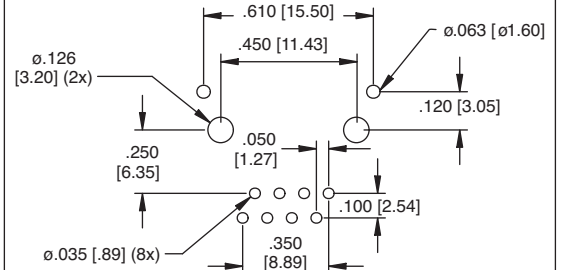
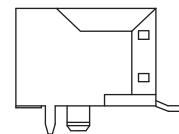
**MTJ-889X1-FSE**

**MTJ-889X1-FSE-PG**

Shown with optional panel ground tabs

See page 20 for other Shield Pin Location Options

**SMT Option**



**Recommended PCB Layout**