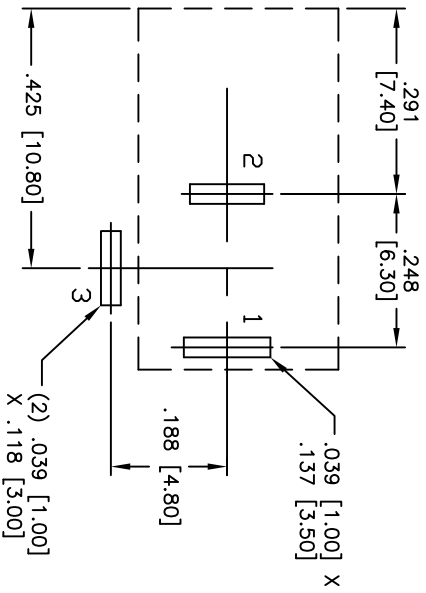
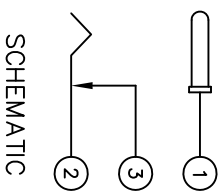
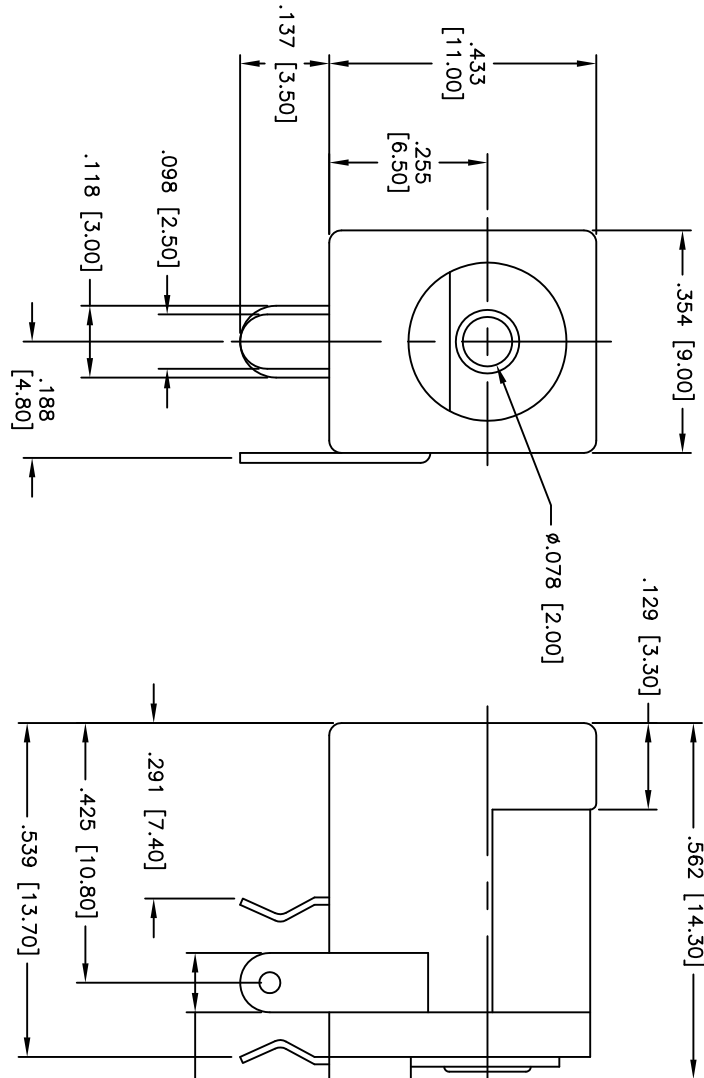


Rev	AWO #	Description	Date	Appr
-		RELEASED	7/22/08	

APPROVED: \_\_\_\_\_  
 DATE: \_\_\_\_\_ TITLE: \_\_\_\_\_



**SPECIFICATIONS:**  
 Material: Insulator: PBT, Glass reinforced, rated UL 94V-0  
 Insulator color: Black  
 Center Pin: Brass, Nickel plated  
 Contacts: Copper Alloy  
 Plating: Silver over Nickel underplate  
 Electrical: Operating voltage: 12 VDC max.  
 Current rating: 1.5 Amp max.  
 Contact resistance: 30 mohms max. initial  
 Insulation resistance: 50 Mohms min.  
 Dielectric withstanding voltage: 250 VAC for 1 minute  
 Temperature Rating: Operating temperature: -25°C to +70°C  
 Environmental: Lead free, RoHS compliant

**ADAM TECH**  
 909 Rahway Avenue, Union, NJ 07083  
 Phone: 908-687-5000 Fax: 908-687-5710

**DC POWER JACK, 2mm PIN, REVERSE TAILS**  
 SIZE: X  
 PART NO.: ADC-002-1-RT1  
 SCALE: NTS  
 SHEET 1 OF 1

UNLESS OTHERWISE SPECIFIED ALL DIMENSIONS ARE INCHES [MM]	
TOLERANCES: EXCEPT AS NOTED	HOLDS
.X ± .10	ØXX ± .10
.XX ± .020	ØXXX ± .015
.XXX ± .015	ØXXXX ± .010
APPROVALS	DATE
DRAWN	DY
CHECKED	
APPROVED	

Rev	Part No.	Date	Appr
X	ADC-002-1-RT1	7/22/08	