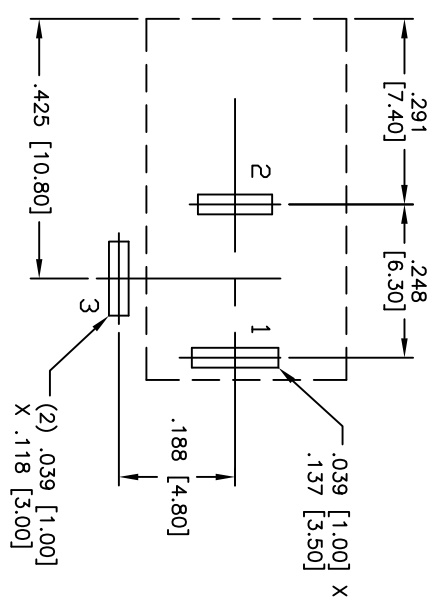
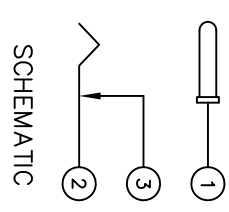
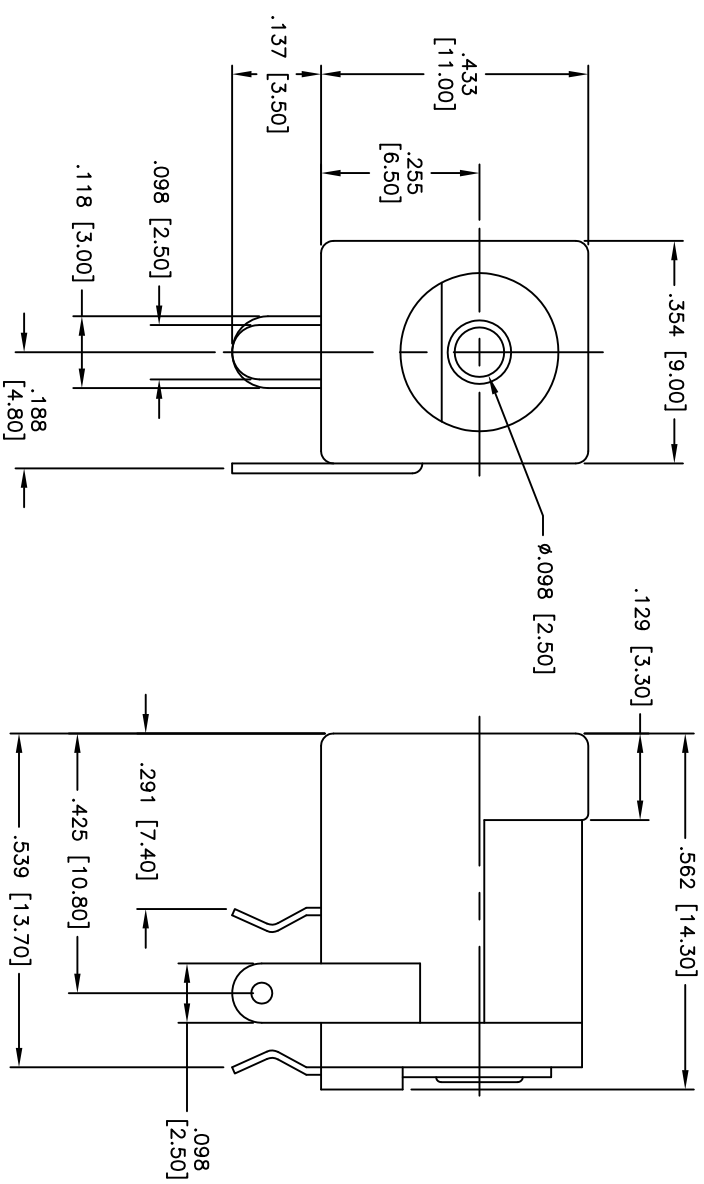


Rev	AWO #	Description	Date	Appr
-	-	RELEASED	12/19/06	

APPROVED: \_\_\_\_\_  
 DATE: \_\_\_\_\_ TITLE: \_\_\_\_\_



**SPECIFICATIONS:**

**Material:**  
 Insulator: PBT, Glass reinforced, rated UL 94V-0  
 Insulator color: Black  
 Center Pin: Brass, Nickel plated  
 Contacts: Copper Alloy  
 Plating:  
 Silver over Nickel underplate

**Electrical:**  
 Operating voltage: 12 VDC max.  
 Current rating: 1 Amp max.  
 Contact resistance: 30 mohms max. initial  
 Insulation resistance: 50 Mohms min.  
 Dielectric withstanding voltage: 250 VAC for 1 minute  
 Temperature Rating:  
 Operating temperature: -25°C to +70°C

**Environmental:**  
 Lead free, RoHS compliant  
 Recommended soldering temp: 235°C for 5 sec.

UNLESS OTHERWISE SPECIFIED ALL DIMENSIONS ARE INCHES [MM]		TOLERANCES: EXCEPT AS NOTED	
INCHES		Holes	
.X	± .10	ØX	± .10
.XX	± .020	ØXXX	± .015
.XXX	± .015	ØXXXX	± .010
APPROVALS		DATE	
DRAWN	BW	12/19/06	
CHECKED			
APPROVED			
<p><b>ADAM TECH</b>          909 Railway Avenue, Union, NJ 07083          Phone: 908-687-5000 Fax: 908-687-5710</p>		TITLE	
		DC POWER JACK, 2.50mm PIN, REVERSE TAILS	
SIZE	PART NO.	REV.	
X	ADC-002-2-RT1	-	
REF:	SCALE: NTS	SHEET	1 OF 1