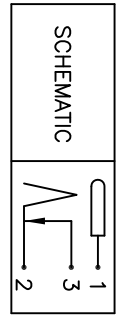
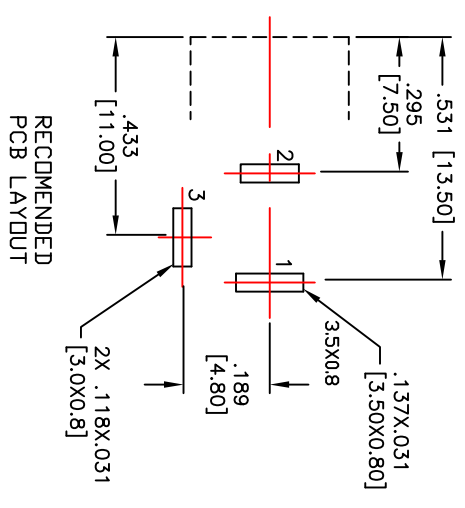
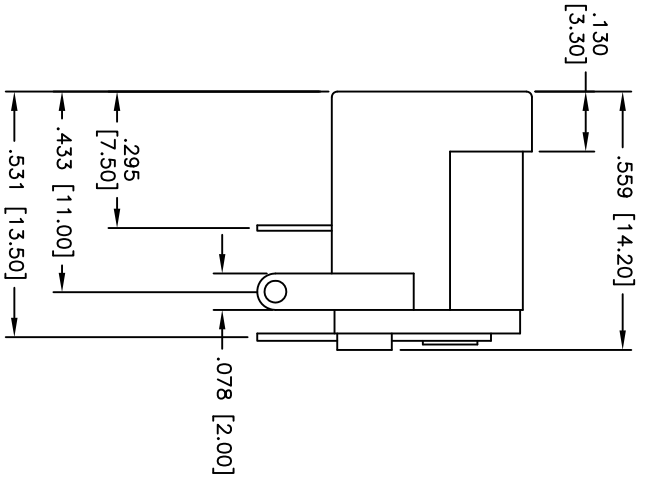
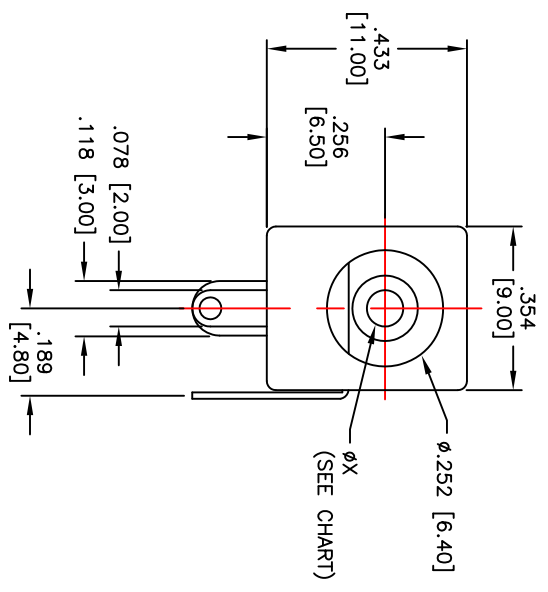


Rev	AWO #	Description	Date	Appr
-		RELEASED	6/11/08	

APPROVED: \_\_\_\_\_  
 DATE: \_\_\_\_\_ TITLE: \_\_\_\_\_



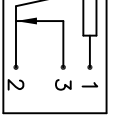
PART NO.	CENTER PIN DIA.
ADC-002-1	.078 [2.00]
ADC-002-2	.098 [2.50]
ADC-002-5	.092 [2.35]
ADC-002-9	.065 [1.65]

**SPECIFICATIONS:**

**Material:** Insulator: PBT, Glass reinforced, rated UL 94V-0  
 Insulator color: Black  
 Center Pin: Brass, Nickel plated  
 Contacts: Copper Alloy  
 Plating: Silver over Nickel underplate  
**Electrical:** Operating voltage: 12 VDC max.  
 Current rating: 1 Amp max.  
 Contact resistance: 30 mohms max. initial  
 Insulation resistance: 50 Mohms min.  
 Dielectric withstanding voltage: 250 VAC for 1 minute  
 Temperature Rating: Operating temperature: -25°C to +85°C

**Environmental:** Deca BDE – Halogen Free  
 Lead free, RoHS compliant.  
 Recommended soldering temp: 235°C for 5 sec.

**RECOMMENDED**



PART NO.	CENTER PIN DIA.
ADC-002-1	.078 [2.00]
ADC-002-2	.098 [2.50]
ADC-002-5	.092 [2.35]
ADC-002-9	.065 [1.65]

UNLESS OTHERWISE SPECIFIED	
ALL DIMENSIONS ARE INCHES [MM]	
TOLERANCES: EXCEPT AS NOTED	
INCHES	HOLDS
.X ± .10	± .10
.XX ± .020	± .015
.XXX ± .015	± .010
APPROVALS	
DATE	

DRAWN	SS	6/11/08
CHECKED		
APPROVED		

**ADAM TECH**  
 909 Railway Avenue, Union, NJ 07083  
 Phone: 908-687-5000 Fax: 908-687-5710

TITLE		DC POWER JACK	
SIZE	PART NO.	ADC-002-X-DHF	REV.
REF:	SCALE:	MKS	SHEET 1 OF 1