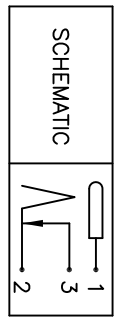
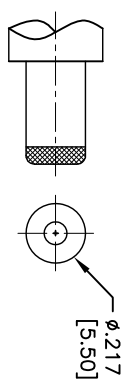
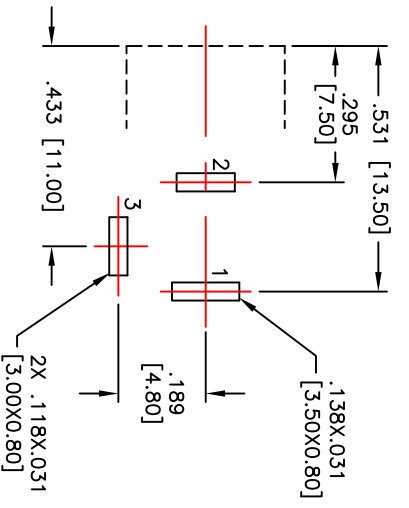
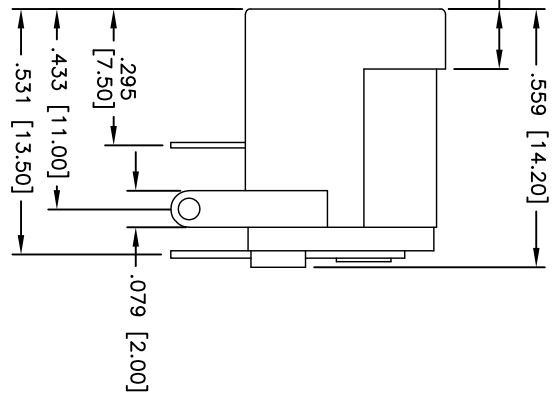
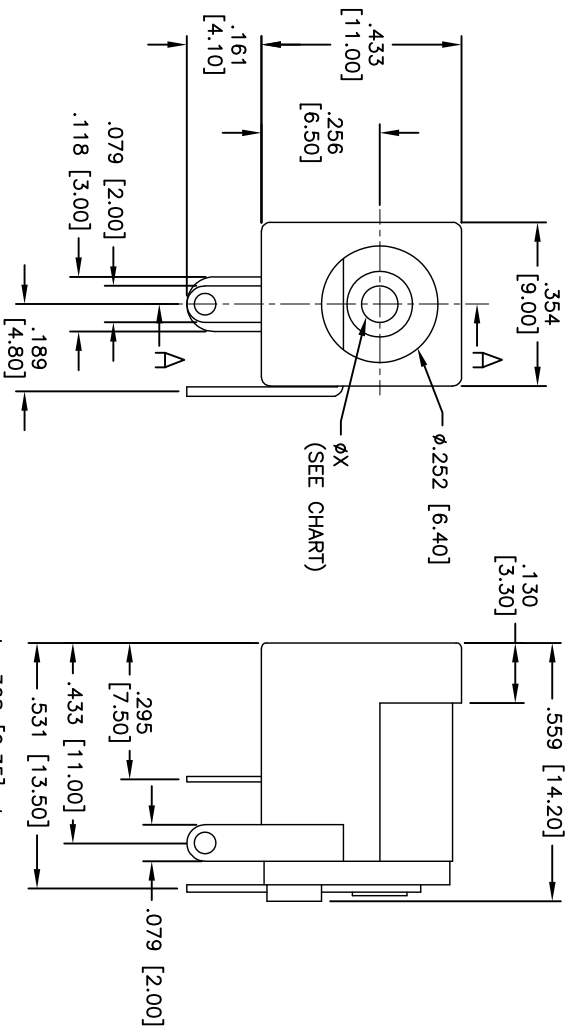


APPROVED: _____
 DATE: _____ TITLE: _____

Rev	AWO #	Description	Date	Appr
-		RELEASED	7/21/06	
A		REVISED SPEC.	11/17/11	
B		ADDED DIM.	8/8/14	AV/SC



PART NO.	CENTER PIN DIA.
ADC-002-1-HT	.078 [2.00]
ADC-002-2-HT	.098 [2.50]
ADC-002-5-HT	.092 [2.35]

SPECIFICATIONS:

Material:
 Insulator: Hi-temp thermoplastic, rated UL 94V-0
 Insulator color: Black
 Center Pin: Brass, Nickel plated
 Contacts: Copper Alloy
 Plating:
 Tin over Copper underplate overall

Electrical:
 Operating voltage: 20 VDC max.
 Current rating: 4 Amp max.

Insulation resistance: 30 mohms max. initial

Dielectric withstanding voltage: 500 VAC for 1 minute

Temperature Rating:

Operating temperature: -20°C to +70°C

Environmental:

Lead free, RoHS compliant.



ADAM TECH

909 Rahway Avenue, Union, NJ 07083
 Phone: 908-687-5000 Fax: 908-687-5710

DC POWER JACK, HI TEMP

UNLESS OTHERWISE SPECIFIED ALL DIMENSIONS ARE INCHES [MM]	
TOLERANCES: EXCEPT AS NOTED	
INCHES	HOLES
.X ± .10	ØXX ± .10
.XX ± .020	ØXXX ± .015
.XXX ± .015	ØXXXX ± .010
APPROVALS	DATE
DRAWN SS	7/21/06
CHECKED	
APPROVED	

SIZE	PART NO.	REV.
X	ADC-002-X-HT	B
REF:	S0002C	SHEET 1 OF 1
SCALE:	NTS	