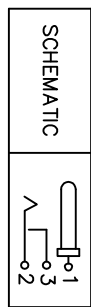
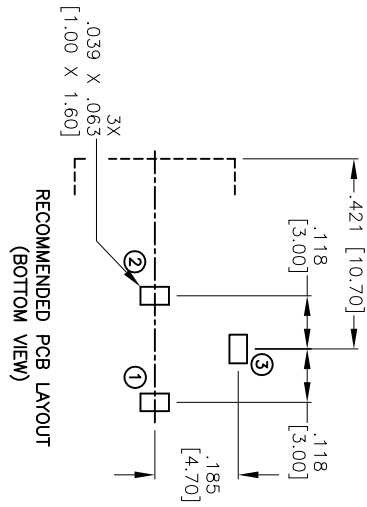
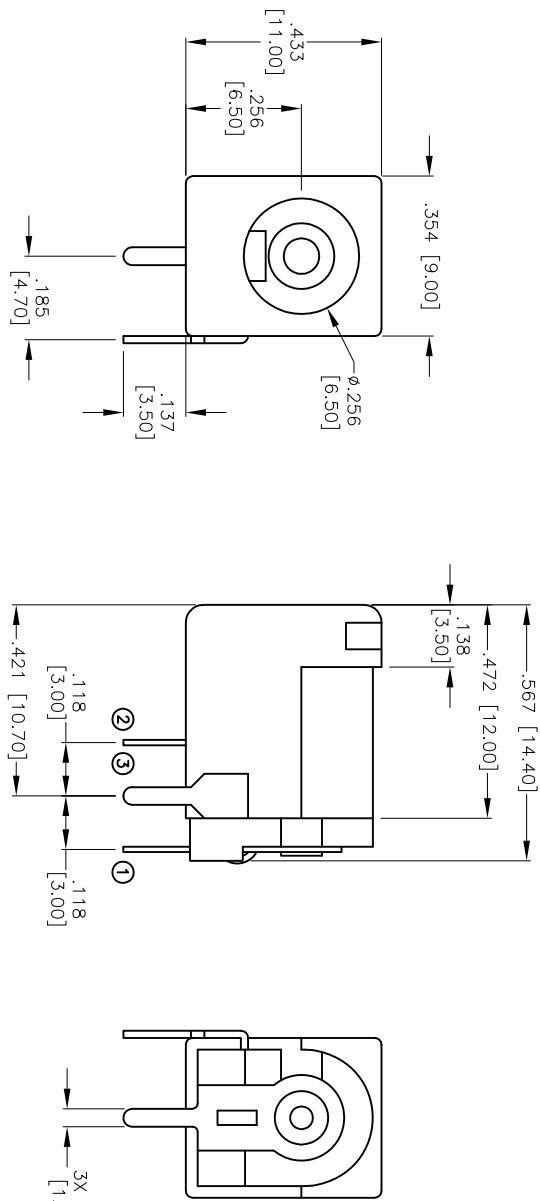
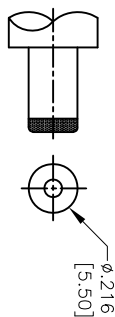


APPROVED: _____
 DATE: _____ TITLE: _____

Rev	AWO #	Description	Date	Appr
-		RELEASED	12/22/08	
A		REVISED SPEC.	5/6/15	AV/KW



PART NO.	CENTER PIN DIA.
ADC-002-9-N-PC	.065 [1.65]
ADC-002-1-N-PC	.078 [2.00]
ADC-002-2-N-PC	.098 [2.50]



DC MATE PLUG

SPECIFICATIONS:

Material: PBT, Glass reinforced, rated UL 94V-0
 Insulator color: Black
 Center Pin: Copper Alloy, Nickel plated
 Contacts: Copper Alloy
 Plating:
 Tin over Copper underplate overall

Electrical:
 Operating voltage: 16 VDC max.

Current rating: 2.5 Amp max.

Contact resistance: 50 mohms max. initial

Insulation resistance: 100 Mohms min.
 Dielectric withstanding voltage: 500 VAC for 1 minute

Temperature Rating:
 Operating temperature: -25°C to +85°C
 Environmental:
 Lead free, RoHS compliant



ADAM TECH

909 Rahway Avenue, Union, NJ 07083
 Phone: 908-687-5000 Fax: 908-687-5710

**DC Power Jack, Notched Housing
 RIGHT ANGLE PCB**

UNLESS OTHERWISE SPECIFIED
 ALL DIMENSIONS ARE MM [INCHES]
 TOLERANCES: EXCEPT AS NOTED

INCHES	HOLES
.X ± .10	ØXX ± .10
.XX ± .020	ØXXX ± .015
.XXX ± .015	ØXXXX ± .010

APPROVALS: _____ DATE: _____

DRAWN	SLS	12/22/08
CHECKED		
APPROVED		

TITLE	DC Power Jack, Notched Housing RIGHT ANGLE PCB
SIZE	X
PART NO.	ADC-002-X-N-PC
REF:	S00021C
SCALE:	NIS
SHEET	1 OF 1
REV.	A