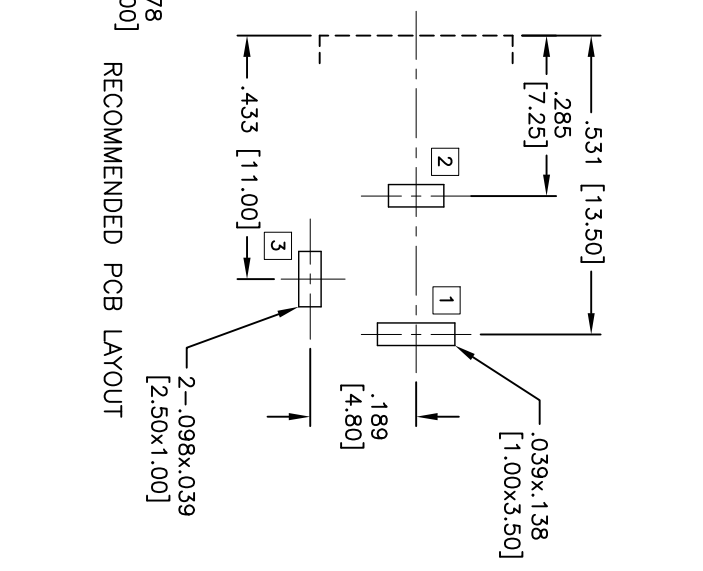
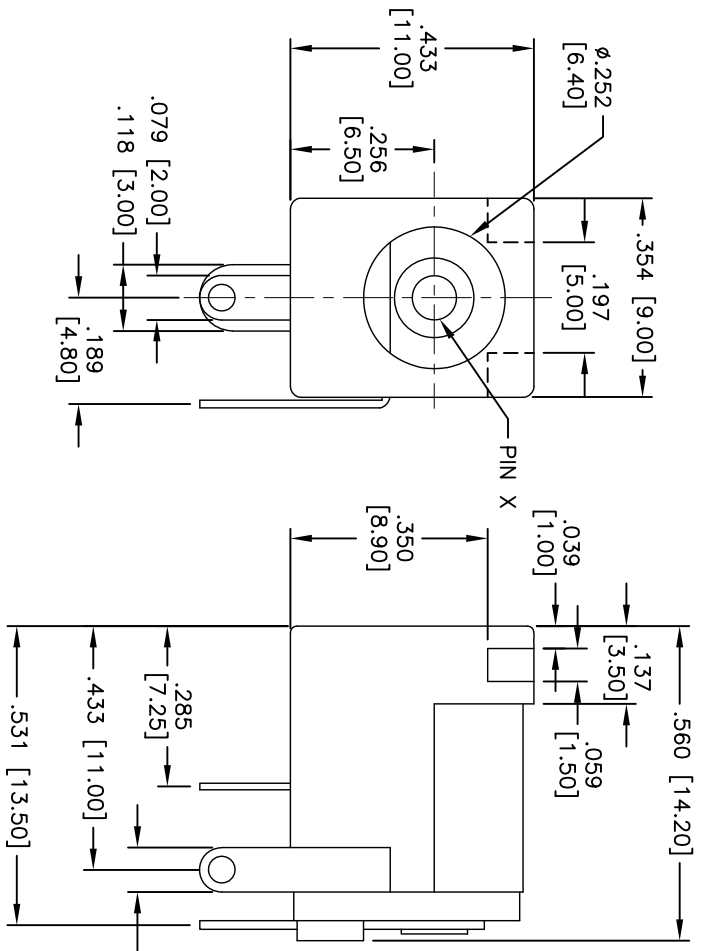
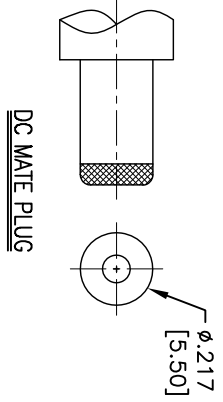


APPROVED: _____
 DATE: _____ TITLE: _____



RECOMMENDED PCB LAYOUT

PART NO.	CENTER PIN DIA.
ADC-002-1-N	.079 [2.00]
ADC-002-2-N	.098 [2.50]
ADC-002-5-N	.093 [2.35]



DC MATE PLUG

SPECIFICATIONS:

Material:
 Insulator: PBT, glass reinforced, rated UL 94V-0
 Insulator color: Black
 Contacts: Copper Alloy
 Center Pin: Brass, nickel plated
Plating:
 Tin over Copper underplate overall
Electrical:
 Operating voltage: 20 VDC max
 Current rating: 4 Amp max
 Contact resistance: 30 mΩ max
 Insulation resistance: 100 MΩ min
 Dielectric withstanding voltage: 500 VAC for 1 minute
Temperature Rating:
 Operating temperature: -40°C to +85°C
Environmental:
 Lead free, RoHS compliant

Rev	AWO #	Description	Date	Appr
-		RELEASED	5/11/06	
A		REDRAWN	12/6/12	

ADAM TECH

909 Rahway Avenue, Union, NJ 07083
 Phone: 908-687-5000 Fax: 908-687-5710

TITLE: DC POWER JACK, NOTCHED HOUSING
 2.0mm THRU 2.5mm DIA. CENTER PIN

UNLESS OTHERWISE SPECIFIED ALL DIMENSIONS ARE IN INCHES [MM]	
TOLERANCES: EXCEPT AS NOTED	
INCHES	HOLES
.X ± .10	ØXX ± .10
.XX ± .020	ØXXX ± .015
.XXX ± .015	ØXXXX ± .010
APPROVALS	DATE
DRAWN: BW	5/11/06
CHECKED	
APPROVED	

SIZE: X	PART NO.: ADC-002-X-N	REV: -
REF: S0002C	SCALE: NTS	SHEET 1 OF 1