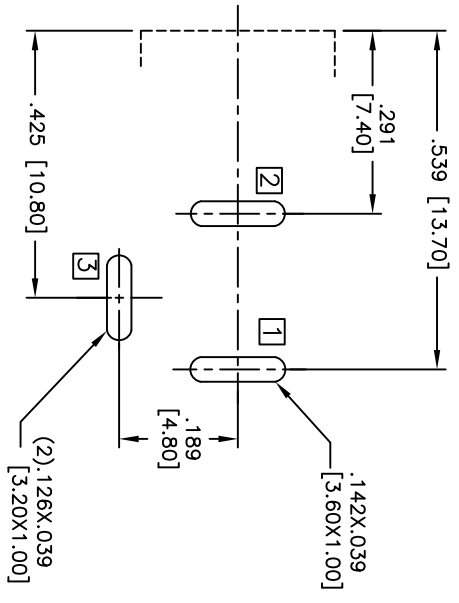
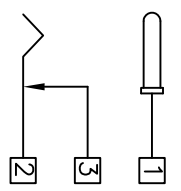
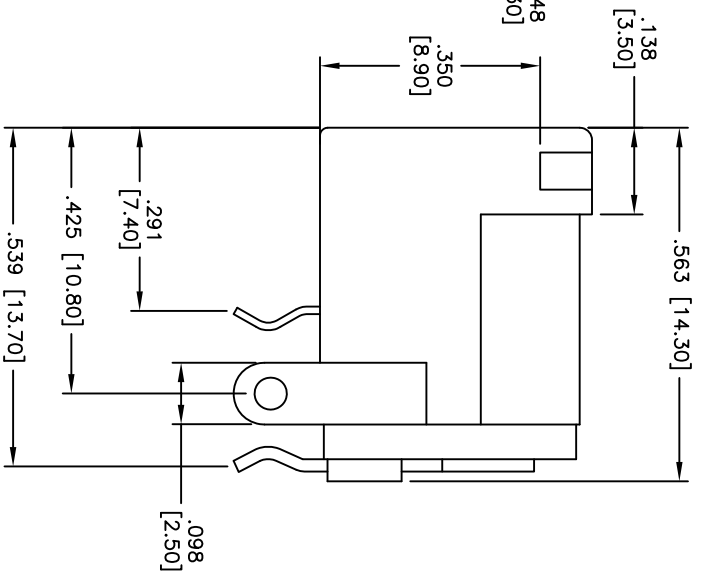
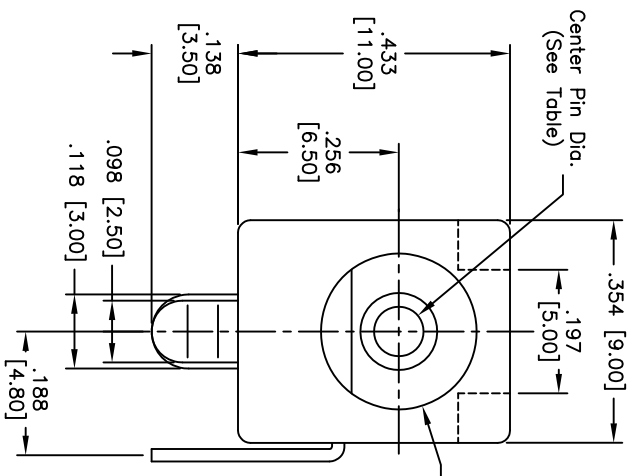


APPROVED: _____
 DATE: _____ TITLE: _____



RECOMMENDED PCB LAYOUT

| PART NO. | X |
|-----------------|--------------|
| ADC-002-1-RT1-N | φ.079 [2.00] |
| ADC-002-2-RT1-N | φ.098 [2.50] |
| ADC-002-5-RT1-N | φ.093 [2.35] |

SPECIFICATIONS:
 Material: PBT, Glass reinforced, rated UL 94V-0
 Insulator color: Black
 Center Pin: Brass, Nickel plated
 Contacts: Copper Alloy
 Plating: Tin over Nickel underplate
 Operating voltage: 20 VDC
 Electrical:
 Current rating: 4.0 Amp
 Contact resistance: 30 mohms max.
 Insulator resistance: 100 Mohms min.
 Dielectric withstanding voltage: 500 VAC for 1 minute
 Temperature Rating:
 Operating temperature: -20°C to +70°C
 Environmental:
 Lead free, RoHS compliant



| Rev | AWO # | Description | Date | Appr |
|-----|-------|--------------|---------|------|
| - | | RELEASED | 2/11/10 | |
| A | | REVISED SPEC | 9/2/11 | |

| UNLESS OTHERWISE SPECIFIED ALL DIMENSIONS ARE INCHES [MM] | |
|--|--------|
| .X | ± .10 |
| .XX | ± .020 |
| .XXX | ± .015 |
| .XXX | ± .010 |

| APPROVALS | DATE |
|-----------|---------|
| DRAWN | 2/11/10 |
| CHECKED | |
| APPROVED | |

ADAM TECH
 909 Railway Avenue, Union, NJ 07083
 Phone: 908-687-5000 Fax: 908-687-5710

TITLE: DC POWER JACK, 2.00mm, 2.50mm, 2.35mm CENTER PIN

| | | |
|------|-----------------|------|
| SIZE | PART NO. | REV. |
| X | ADC-002-X-RT1-N | A |

REF: S0002C SCALE: NTS SHEET 1 OF 1