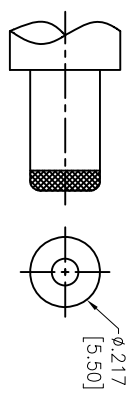
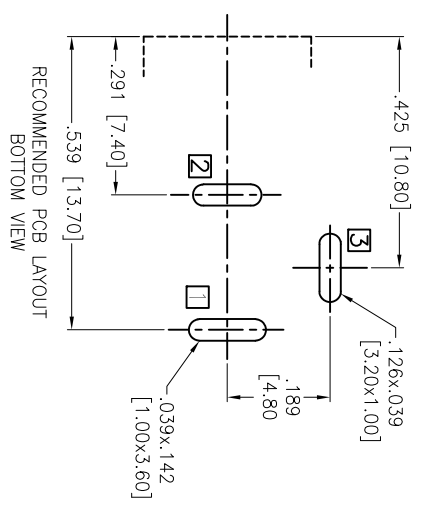
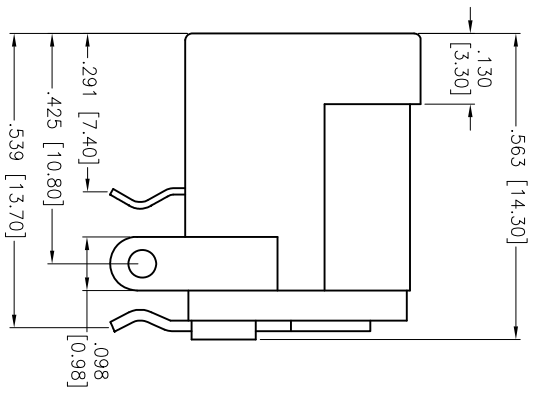
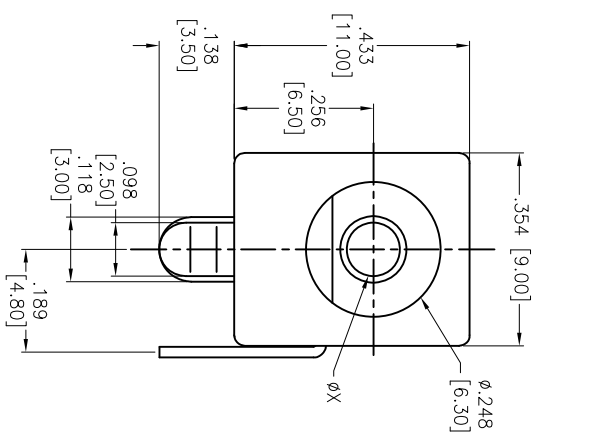
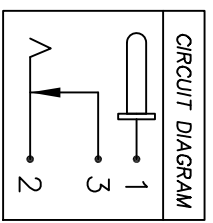


Rev	AWO #	Description	Date	Appr
-		RELEASED	5/21/13	

APPROVED: _____
 DATE: _____ TITLE: _____



DC MATE PLUG



PART NO.	CENTER PIN DIA.
ADC-002-1-RT1-WT	.078 [2.00]
ADC-002-2-RT1-WT	.098 [2.50]
ADC-002-3-RT1-WT	.092 [2.35]

SPECIFICATIONS:

Material: Silver over Nickel underplate
 Insulator: PBT, rated UL 94V-0
 Insulator color: White
 Center Pin: Brass
 Contacts: Copper Alloy
 Plating:
 Silver over Nickel underplate
 Electrical:
 Operating voltage: 20 VDC max.
 Current rating: 2.5 Amp max.
 Contact resistance: 30 mohms max. initial
 Insulation resistance: 100 Mohms min.
 Dielectric withstanding voltage: 500 VAC for 1 minute
 Temperature Rating:
 Operating temperature: -20°C to +70°C
 Environmental:
 Lead free, RoHS compliant

ADAM TECH

909 Rahway Avenue, Union, NJ 07083
 Phone: 908-687-5000 Fax: 908-687-5710

TITLE: DC POWER JACK, 2.00mm, 2.50mm, 2.35mm DIA. CENTER PIN

UNLESS OTHERWISE SPECIFIED		ALL DIMENSIONS ARE INCHES [MM]	
TOLERANCES: EXCEPT AS NOTED		INCHES	
		HOLE	
.X	± .10	Ø.X	± .10
.XX	± .020	Ø.XX	± .015
.XXX	± .015	Ø.XXX	± .010
APPROVALS			
DRAWN	AY	DATE	5/21/13
CHECKED	NP	DATE	5/21/13
APPROVED		DATE	

SIZE	PART NO.	REV.
X	ADC-002-X-RT1-WT	-

REF: S0002C SCALE: NTS SHEET 1 OF 1

