

6

5

4

3

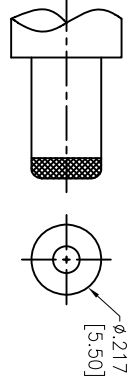
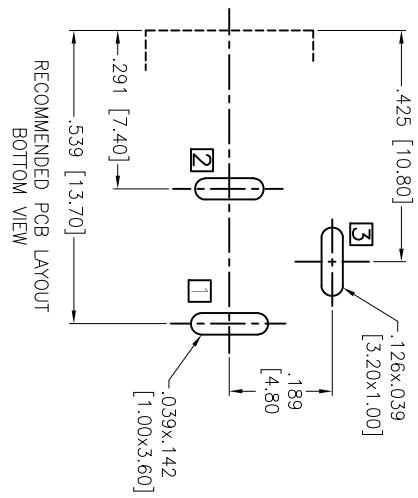
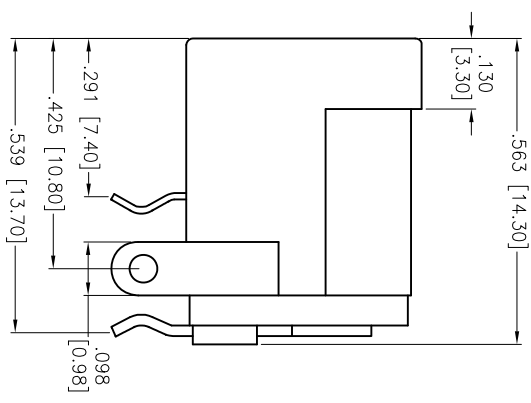
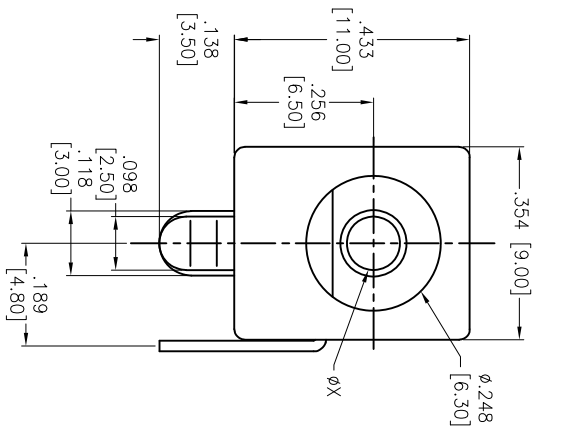
2

1

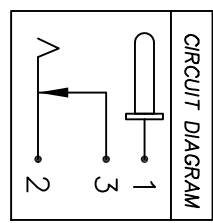
APPROVED: \_\_\_\_\_

DATE: \_\_\_\_\_ TITLE: \_\_\_\_\_

Rev	AWO #	Description	Date	Appr
-		RELEASED	1/27/04	
A		REDRAWN	11/24/11	
B		REVISED SPEC.	5/21/13	



DC MATE PLUG



PART NO.	CENTER PIN DIA.
ADC-002-1-RT1	.078 [2.00]
ADC-002-2-RT1	.098 [2.50]
ADC-002-3-RT1	.092 [2.35]

**SPECIFICATIONS:**

Material: Insulator: PBT, rated UL 94V-0  
 Insulator color: Black  
 Center Pin: Brass  
 Contacts: Copper Alloy  
 Plating: Silver over Nickel underplate  
 Electrical: Operating voltage: 20 VDC max.  
 Current rating: 2.5 Amp max.  
 Contact resistance: 30 mohms max. initial  
 Insulation resistance: 100 Mohms min.  
 Dielectric withstanding voltage: 500 VAC for 1 minute  
 Temperature Rating: Operating temperature: -20°C to +70°C  
 Environmental: Lead free, RoHS compliant

**ADAM TECH**

909 Rahway Avenue, Union, NJ 07083  
 Phone: 908-687-5000 Fax: 908-687-5710

TITLE: DC POWER JACK, 2.00mm, 2.50mm, 2.35mm DIA. CENTER PIN

UNLESS OTHERWISE SPECIFIED ALL DIMENSIONS ARE INCHES [MM]	
TOLERANCES: EXCEPT AS NOTED	
INCHES	HOLES
.X ± .10	ØX ± .10
.XX ± .020	ØXXX ± .015
.XXX ± .015	ØXXXX ± .010
APPROVALS	DATE
DRAWN SS	1/27/04
CHECKED	
APPROVED	

SIZE	PART NO.	REV.
X	ADC-002-X-RT1	A
REF: S0002C	SCALE: NTS	SHEET 1 OF 1



6

5

4

3

2

1