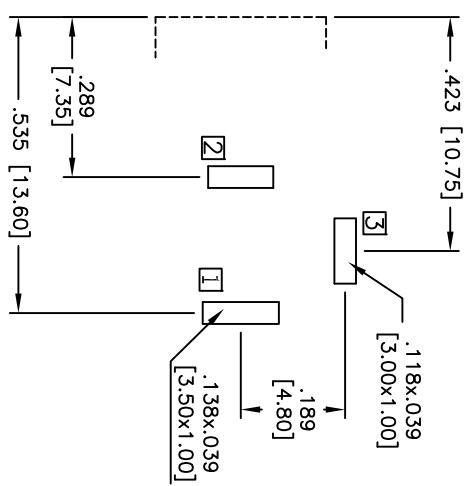
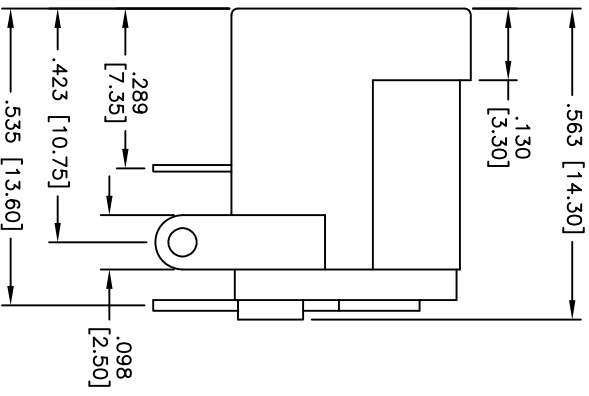
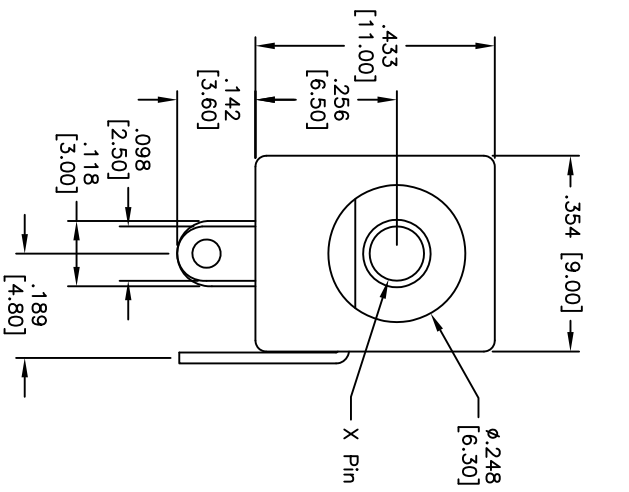


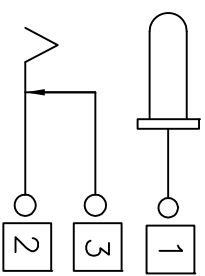
Rev	AWO #	Description	Date	Appr
-		RELEASED	12/02/08	

APPROVED: \_\_\_\_\_  
 DATE: \_\_\_\_\_ TITLE: \_\_\_\_\_



Recommended PCB Layout  
 (Copper-sided view)

PART NO.	X
ADC-002-1-RT1R	Ø.079 [2.00]
ADC-002-2-RT1R	Ø.098 [2.50]
ADC-002-5-RT1R	Ø.093 [2.35]



**SPECIFICATIONS:**

Material: Insulator: PBT, Glass reinforced, rated UL 94V-0  
 Insulator color: Black  
 Center Pin: Brass, Nickel plated  
 Contacts: Copper Alloy

Plating: Silver over Nickel underplate  
 Electrical: Operating voltage: 20 VDC max.  
 Current rating: 2.5 Amp max.  
 Contact resistance: 30 mohms max. initial  
 Insulation resistance: 100 Mohms min.  
 Dielectric withstanding voltage: 500 VAC for 1 minute

Temperature Rating: Operating temperature: -25°C to +70°C  
 Environmental: Lead free, RoHS compliant  
 Recommended soldering temp: 235°C for 5 sec.



6 5 4 3 2 1

**ADAM TECH**

909 Rahway Avenue, Union, NJ 07083  
 Phone: 908-687-5000 Fax: 908-687-5710

DC POWER JACK,  
 2.00mm, 2.50mm, 2.35 mm CENTER PIN

UNLESS OTHERWISE SPECIFIED ALL DIMENSIONS ARE INCHES [MM]	
TOLERANCES: EXCEPT AS NOTED	
INCHES	HOLDS
.X ±.10	ØX ±.10
.XX ±.020	ØXX ±.015
.XXX ±.015	ØXXX ±.010
APPROVALS	DATE
DRAWN	DY
CHECKED	
APPROVED	

TITLE	
SIZE	PART NO.
X	ADC-002-X-RT1R
REF: S00002C	SCALE: NTS
SHEET 1 OF 1	REV.