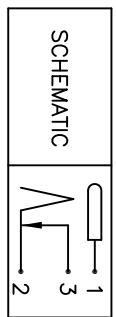
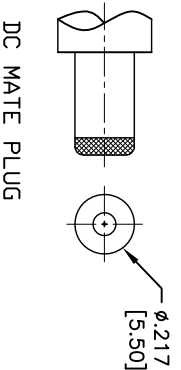
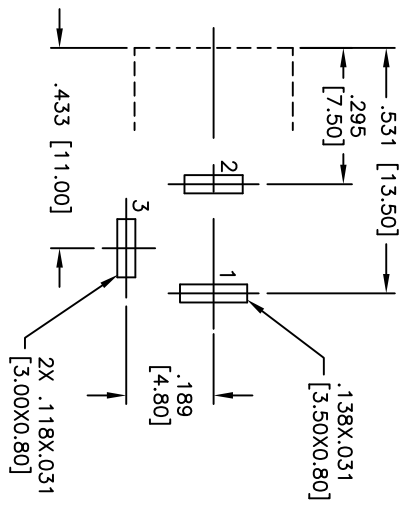
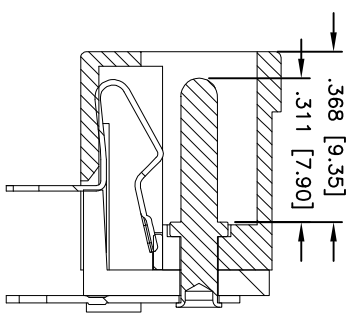
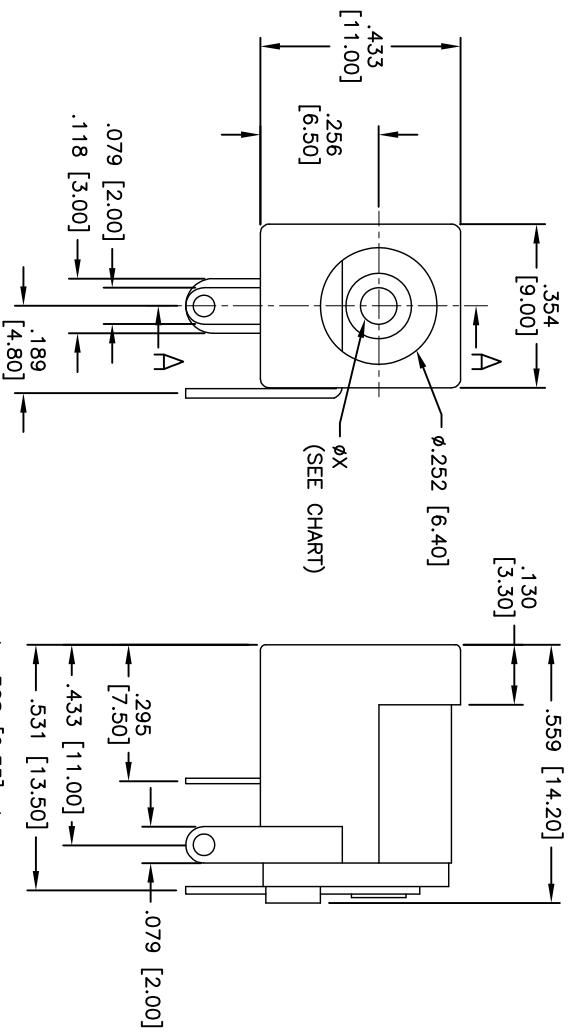


Rev	AWO #	Description	Date	Appr
-		RELEASED	8/12/13	

APPROVED: _____
 DATE: _____ TITLE: _____



PART NO.	CENTER PIN DIA.
ADC-002-1-WT	.078 [2.00]
ADC-002-2-WT	.098 [2.50]
ADC-002-5-WT	.092 [2.35]

SPECIFICATIONS:

Material:
 Insulator: PBT, Glass reinforced, rated UL 94V-0
 Insulator color: White
 Center Pin: Brass, Nickel plated
 Contacts: Copper Alloy
 Plating:
 Tin over Copper underplate overall

Electrical:
 Operating voltage: 20 VDC max.
 Current rating: 4 Amp max.
 Contact resistance: 30 mohms max. initial
 Insulation resistance: 100 Mohms min.
 Dielectric withstanding voltage: 500 VAC for 1 minute
 Temperature Rating:
 Operating temperature: -20°C to +70°C
 Environmental:
 Lead free, RoHS compliant.

ADAM TECH
 909 Railway Avenue, Union, NJ 07083
 Phone: 908-687-5000 Fax: 908-687-5710

TITLE: DC POWER JACK, CENTER PIN 2, 2.35, 2.5MM

UNLESS OTHERWISE SPECIFIED ALL DIMENSIONS ARE INCHES [MM]	
TOLERANCES: EXCEPT AS NOTED	
INCHES	HOLES
.X ± .10	± .10
.XX ± .020	± .015
.XXX ± .015	± .010
APPROVALS	
DRAWN AY	8/12/13
CHECKED EH	8/12/13
APPROVED	

SIZE	PART NO.	REV.
X	ADC-002-X-WT	-
REF:	S0002C	
SCALE:	WTS	
SHEET	1 OF 1	

