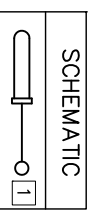
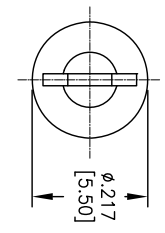
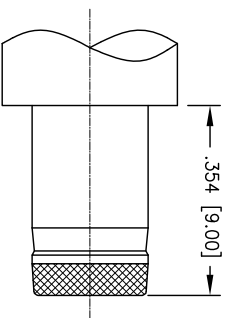
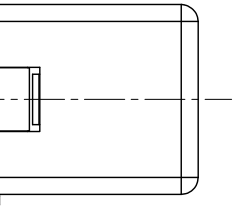
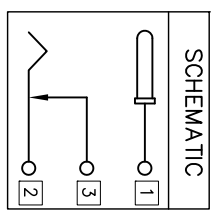
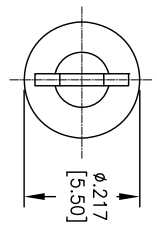
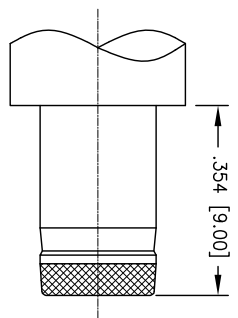
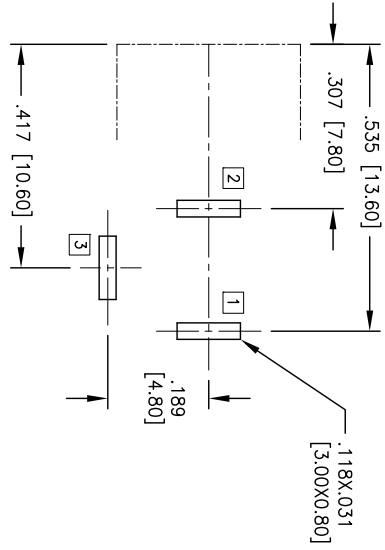
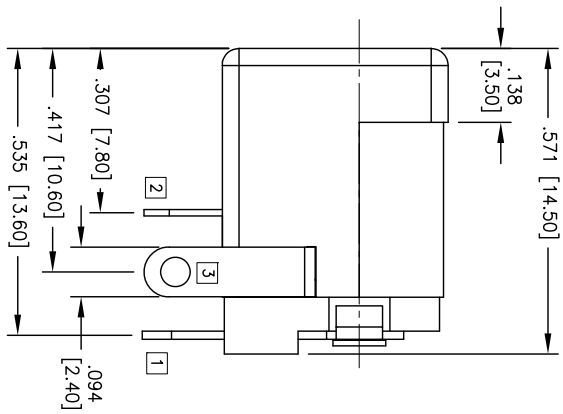
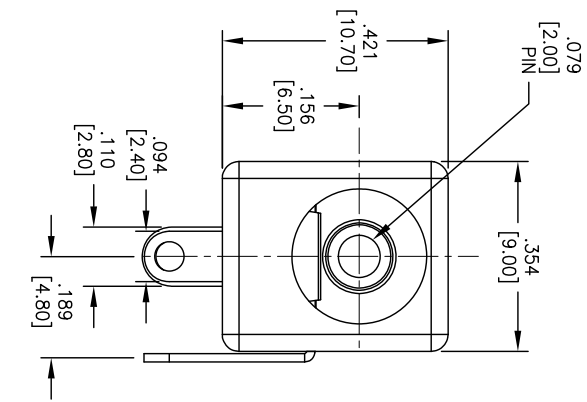


Rev	AWO #	Description	Date	Appr
-		RELEASED	10/17/12	

APPROVED: _____
 DATE: _____ TITLE: _____



SPECIFICATIONS:
 Material: Insulator: PBT, rated UL 94V-0
 Insulator color: Black
 Center Pin: Brass, Nickel plated
 Contacts: Copper Alloy
 Plating: Tin over Copper underplate overall

Electrical:
 Operating voltage: 16 VDC max
 Current rating: 5 Amp max
 Contact resistance: 30 mohms max
 Insulation resistance: 100 Mohms min @ 500 VDC
 Dielectric withstanding voltage: 500 VAC for 1 minute
 Temperature Rating: Operating temperature: -20°C to +85°C
 Environmental: Lead free, RoHS compliant.

ADAM TECH

909 Rahway Avenue, Union, NJ 07083
 Phone: 908-687-5000 Fax: 908-687-5710

TITLE: .079 [2.00] MM CENTER PIN, DC POWER JACK

UNLESS OTHERWISE SPECIFIED ALL DIMENSIONS ARE MM [INCHES] TOLERANCES: EXCEPT AS NOTED	
INCHES	Holes
X ± .10	ØX ± .10
.XX ± .020	ØXX ± .015
.XXX ± .015	ØXXX ± .010
APPROVALS	DATE
DRAWN AY	10/17/12
CHECKED LW	10/17/12
APPROVED	

SIZE X	PART NO. ADC-002A-1-HF	REV.
REF: S0002C	SCALE: NTS	SHEET 1 OF 1

