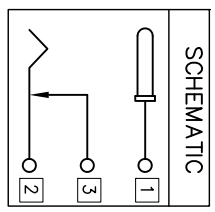
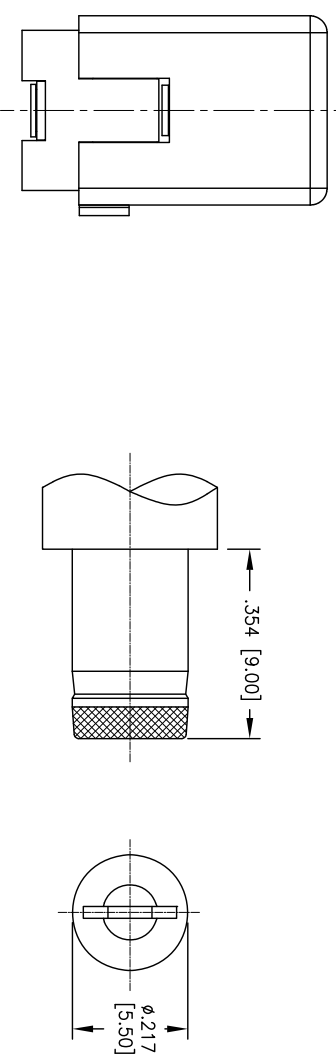
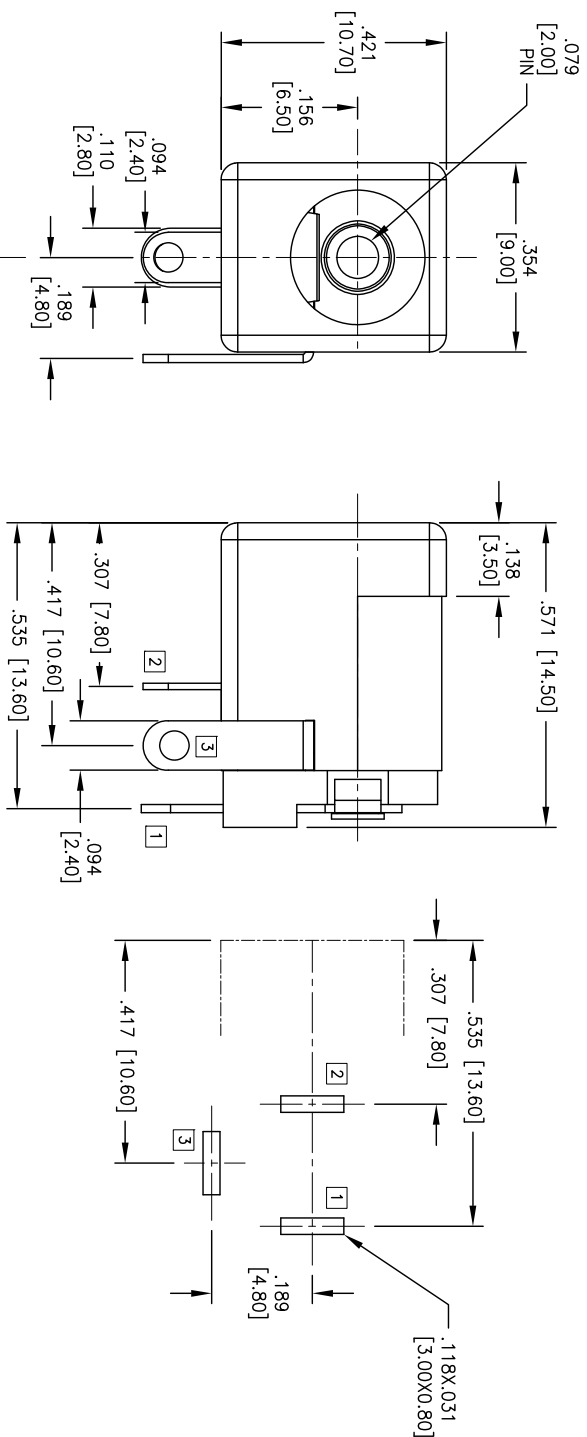


Rev	AWO #	Description	Date	Appr
-		RELEASED	12/14/12	

APPROVED: _____ TITLE: _____
 DATE: _____



SPECIFICATIONS:
 Material: Insulator: Hi-temp thermoplastic, rated UL 94V-0
 Insulator color: Black
 Center Pin: Brass, Nickel plated
 Contacts: Copper Alloy
 Plating: Tin over Copper underplate overall
 Electrical: Operating voltage: 16 VDC max
 Current rating: 5 Amp max
 Contact resistance: 30 mohms max
 Insulation resistance: 100 Mohms min @ 500 VDC
 Dielectric withstanding voltage: 500 VAC for 1 minute
 Temperature Rating: Operating temperature: -20°C to +85°C
 Environmental: Lead free, RoHS compliant.

UNLESS OTHERWISE SPECIFIED	
ALL DIMENSIONS ARE MM [INCHES]	
TOLERANCES: EXCEPT AS NOTED	
INCHES	HOLE
X ± .10	ØXX ± .10
.XX ± .020	ØXXX ± .015
.XXX ± .015	ØXXXX ± .010
APPROVALS	
DRAWN	TW
CHECKED	LW
APPROVED	
	DATE
	12/14/12

ADAM TECH	
909 Rahway Avenue, Union, NJ 07083	
Phone: 908-687-5000 Fax: 908-687-5710	
TITLE	.079 [2.00] MM CENTER PIN, DC POWER JACK
SIZE	PART NO. ADC-002A-1-HT-HF
REF: S00002C	SCALE: NTS
REV: -	SHEET 1 OF 1