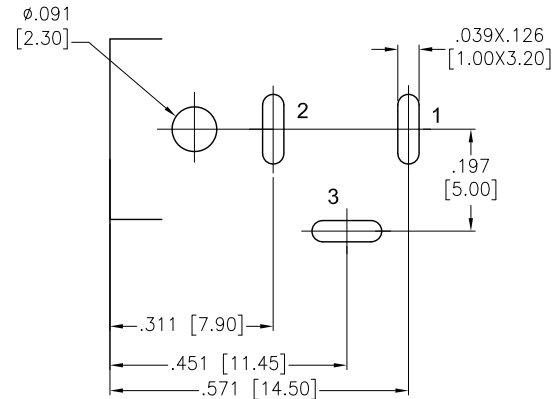
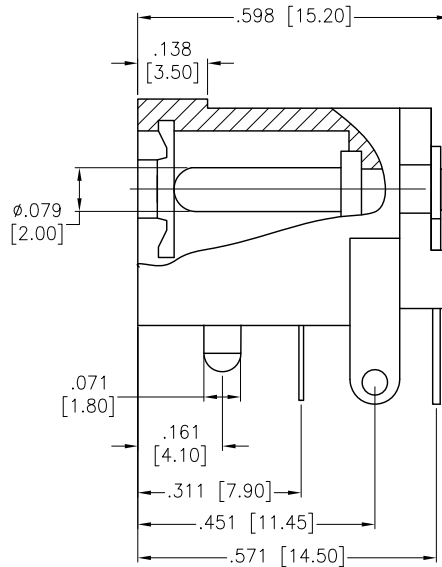
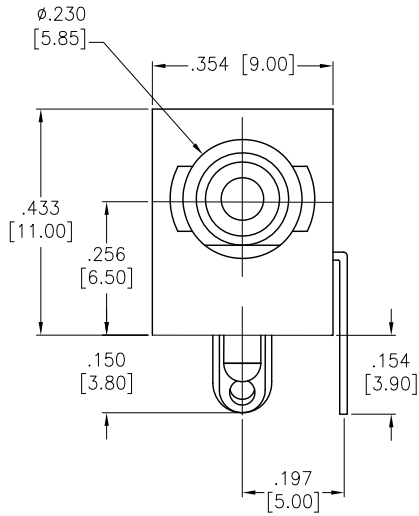
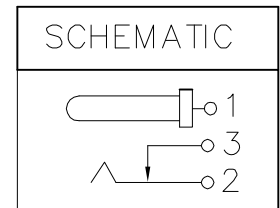


APPROVED: _____
 DATE: _____ TITLE: _____

Rev	AWO #	Description	Date	Appr
-		RELEASED	10/29/14	



RECOMMENDED PCB LAYOUT



SPECIFICATIONS:

Material:
 Hosing: PBT, Glass reinforced, rated UL94HB, Color: Black
 Cover: PBT, Glass reinforced, rated UL94HB, Color: Black
 Pin: Copper, Nickel plated
 Break Terminal: Brass, Silver plated
 Sleeve Spring: Phosphor Bronze, Silver plated
 Pin Terminal: Brass, Silver plated
 Electrical:
 Current Rating: 5.0A max, 24V DC
 Contact Resistance: 30m Ohms max
 Insulation Resistance: 100M Ohms min @ DC 500V
 Dielectric Withstanding Voltage: AC 500V for 1 min.
 Environmental:
 Lead free, RoHS compliant.



UNLESS OTHERWISE SPECIFIED
 ALL DIMENSIONS ARE INCHES [MM]
 TOLERANCES: EXCEPT AS NOTED

INCHES		HOLES	
.X	± .10	Ø.X	± .10
.XX	± .020	Ø.XX	± .015
.XXX	± .015	Ø.XXX	± .010

ADAM TECH
 909 Rahway Avenue, Union, NJ 07083
 Phone: 908-687-5000 Fax: 908-687-5710

APPROVALS		DATE
DRAWN	AY	10/29/14
CHECKED	LL	10/29/14
APPROVED		

TITLE		
2.0MM DC POWER JACK		
SIZE	PART NO.	REV.
X	ADC-002A-1-L	-
REF:	S00062T	SCALE: NTS SHEET 1 OF 1