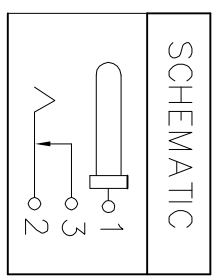
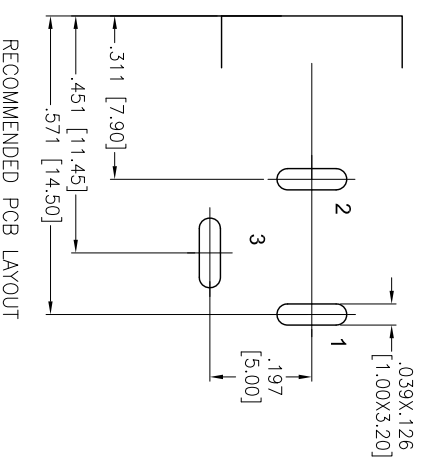
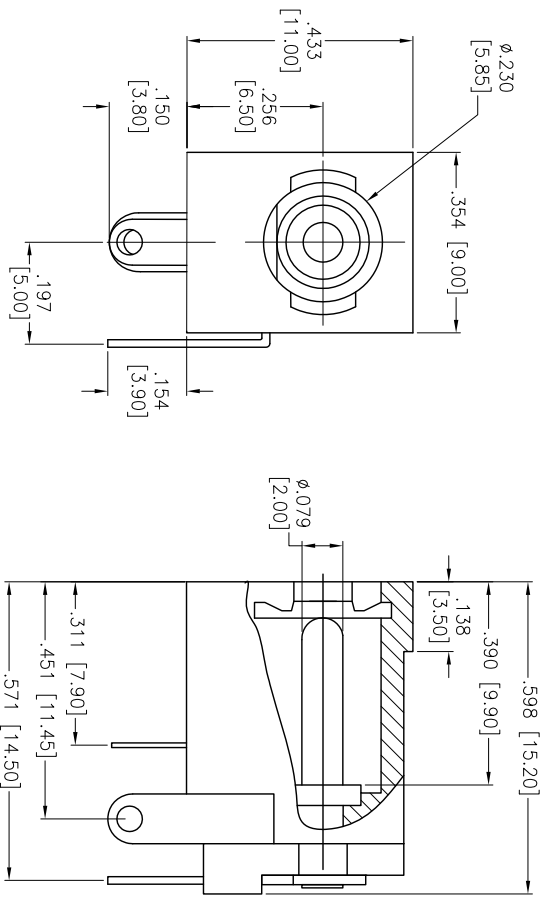


| Rev | AWO # | Description | Date    | Appr |
|-----|-------|-------------|---------|------|
| -   | 13194 | RELEASED    | 10/3/13 |      |

APPROVED: \_\_\_\_\_  
 DATE: \_\_\_\_\_ TITLE: \_\_\_\_\_



**SPECIFICATIONS:**

**Material:**  
 Housing: PBT, Glass reinforced, rated UL94HB, Color: Black  
 Cover: PBT, Glass reinforced, rated UL94HB, Color: Black  
 Pin: Copper, Nickel plated  
 Break Terminal: Brass, Silver plated  
 Sleeve Spring: Phosphor Bronze, Silver plated  
 Pin Terminal: Brass, Silver plated

**Electrical:**  
 Current Rating: 5.0A max, 24V DC  
 Contact Resistance: 30m Ohms max  
 Insulation Resistance: 100M Ohms min @ dc 500V  
 Dielectric Withstanding Voltage: AC 500V for 1 min.

**Environmental:**  
 Lead free, RoHS compliant.

**A**

**B**

**C**

**D**

**A**

**B**

**C**

**D**

**6**

**5**

**4**

**3**

**2**

**1**



UNLESS OTHERWISE SPECIFIED  
 ALL DIMENSIONS ARE INCHES [MM]  
 TOLERANCES: EXCEPT AS NOTED  
 INCHES HOLES  
 .X .10  $\phi$ .X  $\pm$ .10  
 .XX  $\pm$ .020  $\phi$ .XX  $\pm$ .015  
 .XXX  $\pm$ .015  $\phi$ .XXX  $\pm$ .010

| APPROVALS  | DATE    |
|------------|---------|
| DRAWN AY   | 10/3/13 |
| CHECKED YC | 10/3/13 |
| APPROVED   |         |

**ADAM TECH**  
 909 Ratway Avenue, Union, NJ 07083  
 Phone: 908-687-5000 Fax: 908-687-5710

2 MM DC POWER JACK, LOCKING TYPE

| REF: | SIZE | PART NO.        | SCALE: | SHEET 1 OF 1 |
|------|------|-----------------|--------|--------------|
| X    |      | ADC-002A-1-NP-L | NIS    |              |