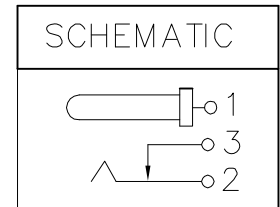
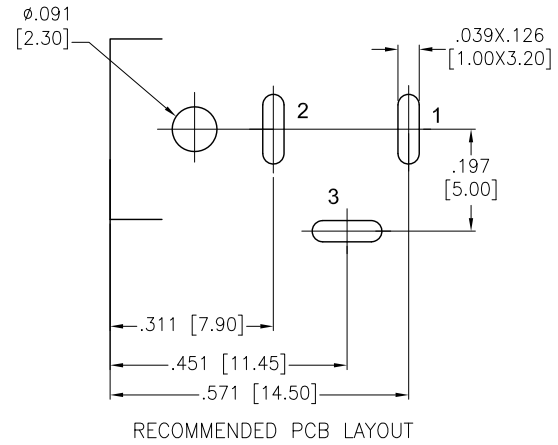
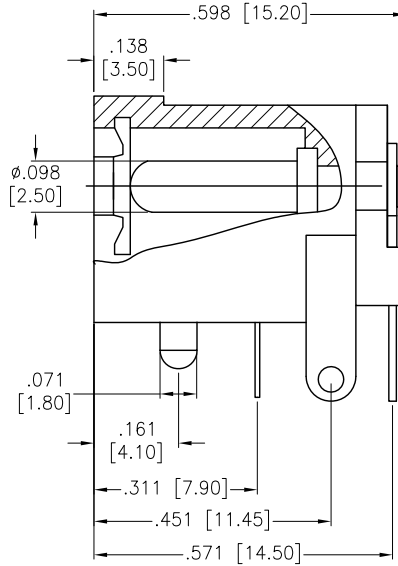
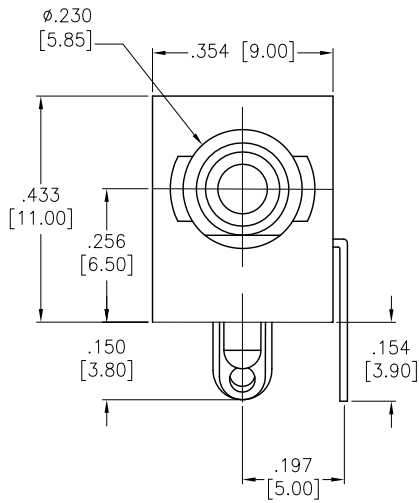


APPROVED: _____
 DATE: _____ TITLE: _____

Rev	AWO #	Description	Date	Appr
-	-	RELEASED	7/29/16	



SPECIFICATIONS:

Material:
 Hosing: PA66, Glass reinforced, rated UL94-V0, Color: Black
 Cover: PA66, Glass reinforced, rated UL94-V0, Color: Black
 Pin: Copper, Nickel plated
 Break Terminal: Brass, Silver plated
 Sleeve Spring: Phosphor Bronze, Silver plated
 Pin Terminal: Brass, Silver plated
 Electrical:
 Current Rating: 5.0A max, 24V DC
 Contact Resistance: 30m Ohms max
 Insulation Resistance: 100M Ohms min @ DC 500V
 Dielectric Withstanding Voltage: AC 500V for 1 min.
 Environmental:
 Lead free, RoHS compliant.



UNLESS OTHERWISE SPECIFIED ALL DIMENSIONS ARE INCHES [MM] TOLERANCES: EXCEPT AS NOTED INCHES HOLES		ADAM TECH 909 Rahway Avenue, Union, NJ 07083 Phone: 908-687-5000 Fax: 908-687-5710	
.X ± .10	Ø.X ± .10		
.XX ± .020	Ø.XX ± .015	TITLE 2.5MM DC POWER JACK	
.XXX ± .015	Ø.XXX ± .010	SIZE X	PART NO. ADC-002A-2-L-PA66
APPROVALS		REF: S00062T	SCALE: NTS
DRAWN	AY	SHEET 1 OF 1	
CHECKED	TW	REV. -	
APPROVED			

6

5

4

3

2

1

D

D

C

C

B

B

A

A

6

5

4

3

2

1