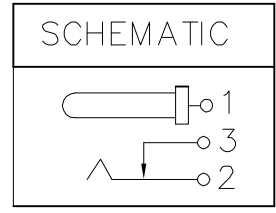
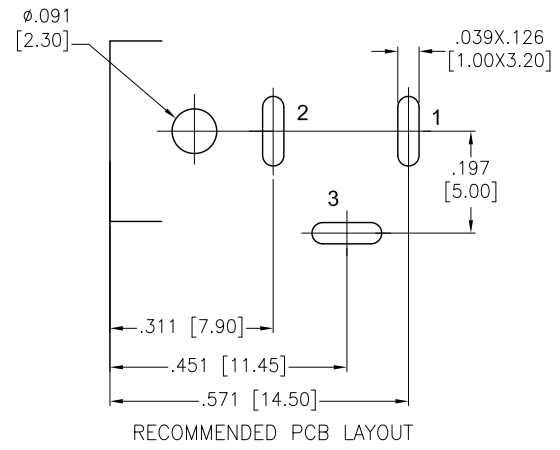
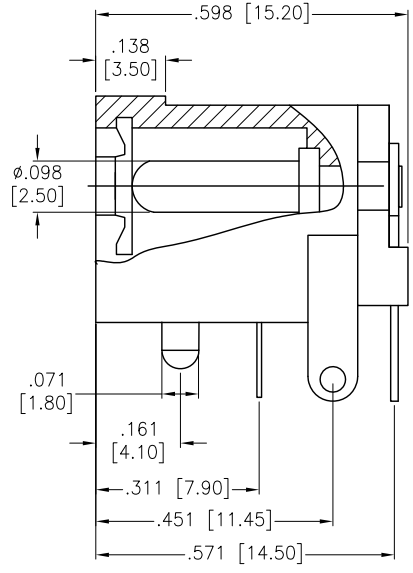
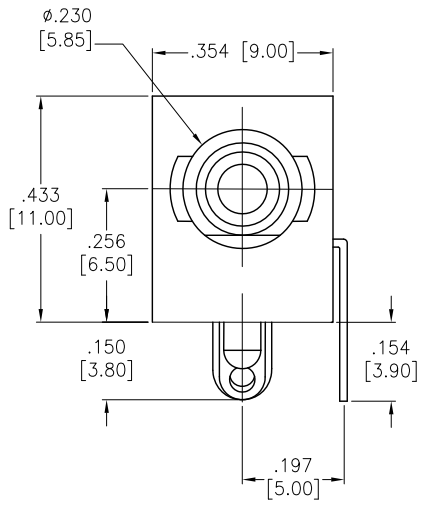


APPROVED: _____
 DATE: _____ TITLE: _____

Rev	AWO #	Description	Date	Appr
-	13194	RELEASED	8/1/13	
A	13194	REVISED SHAPE	10/3/13	AY/YC



SPECIFICATIONS:
 Material:
 Hosing: PBT, Glass reinforced, rated UL94HB, Color: Black
 Cover: PBT, Glass reinforced, rated UL94HB, Color: Black
 Pin: Copper, Nickel plated
 Break Terminal: Brass, Silver plated
 Sleeve Spring: Phosphor Bronze, Silver plated
 Pin Terminal: Brass, Silver plated
 Electrical:
 Current Rating: 5.0A max, 24V DC
 Contact Resistance: 30m Ohms max
 Insulation Resistance: 100M Ohms min @ DC 500V
 Dielectric Withstanding Voltage: AC 500V for 1 min.
 Environmental:
 Lead free, RoHS compliant.



UNLESS OTHERWISE SPECIFIED ALL DIMENSIONS ARE INCHES [MM] TOLERANCES: EXCEPT AS NOTED	
.X ± .10	∅.X ± .10
.XX ± .020	∅.XX ± .015
.XXX ± .015	∅.XXX ± .010
INCHES HOLES	
APPROVALS	
DRAWN	AY
CHECKED	YC
APPROVED	
DATE	
8/1/13	
8/1/13	

ADAM TECH
 909 Rahway Avenue, Union, NJ 07083
 Phone: 908-687-5000 Fax: 908-687-5710

TITLE
2.5MM DC POWER JACK

SIZE	PART NO.	REV.
X	ADC-002A-2-L	A

REF: S00062T SCALE: NTS SHEET 1 OF 1

6 5 4 3 2 1

D

D

C

C

B

B

A

A

6 5 4 3 2 1