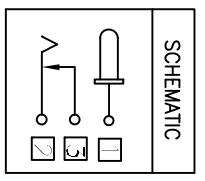
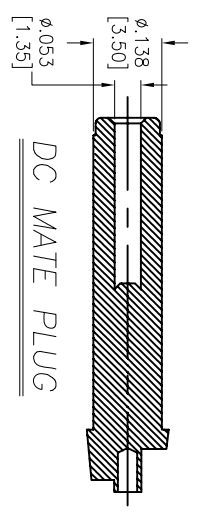
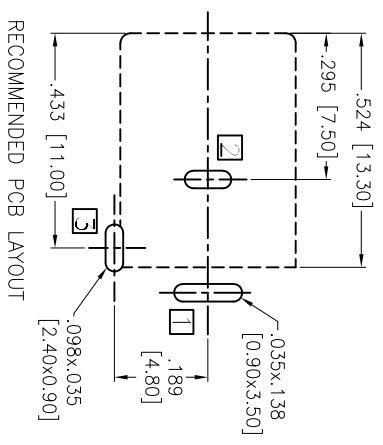
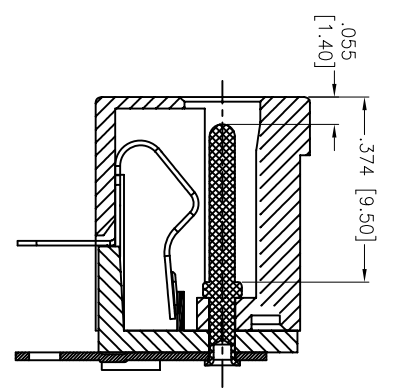
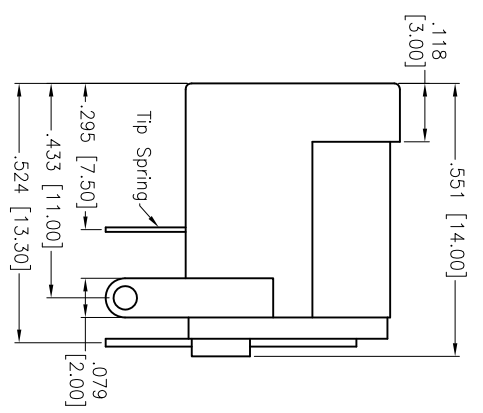
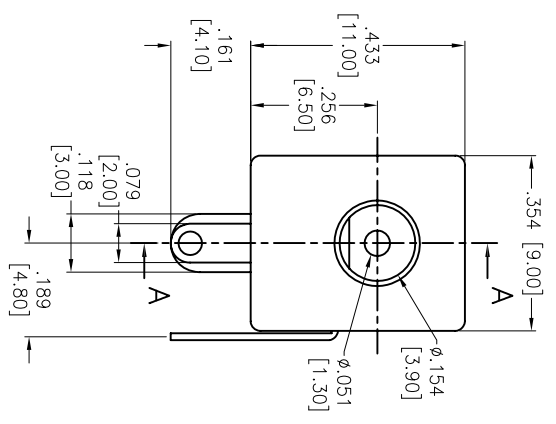


APPROVED: _____
 DATE: _____ TITLE: _____

Rev	AWO #	Description	Date	Appr
-		Released	12/13/06	
A		REDRAWN	02/16/12	



SPECIFICATIONS:
 Material: PBT, Glass reinforced, rated UL 94V-0
 Insulator color: Black
 Center Pin: Brass, Nickel plated
 Contacts: Brass
 Spring: Stainless Steel, Tin plated
 Plating: Tin over Nickel underplate
 Electrical:
 Operating voltage: 20 VDC max
 Current rating: 4 Amp max
 Contact resistance: 50 mohms max
 Insulation resistance: 100 Mohms min @ 500 VDC
 Dielectric withstanding voltage: 500 VAC for 1 minute
 Mechanical:
 Insertion/Extraction forces: 3-30N
 Life Cycles: 5,000 cycles
 Temperature Rating:
 Operating temperature: -20°C to +70°C
 Environmental:
 Recommended soldering temp: 235°C for 5 sec.

ADAM TECH

909 Rahway Avenue, Union, NJ 07083
 Phone: 908-687-5000 Fax: 908-687-5710

TITLE: DC POWER JACK, RIGHT ANGLE, THRU HOLE, 1.30MM CENTER PIN

UNLESS OTHERWISE SPECIFIED ALL DIMENSIONS ARE IN INCHES [MM] TOLERANCES: EXCEPT AS NOTED IN INCHES	
.X ± .10	ØX ± .10
.XX ± .020	ØXX ± .015
.XXX ± .015	ØXXX ± .010
APPROVALS	DATE
DRAWN	SS
CHECKED	
APPROVED	

REF: S0002C	SCALE: NTS	SHEET 1 OF 1
SIZE X	PART NO. ADC-002A-4	REV. A

