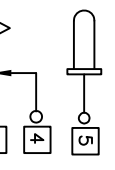
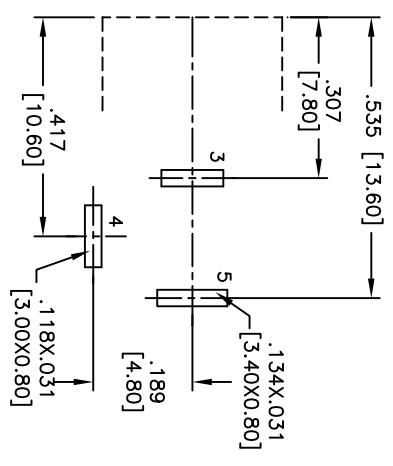
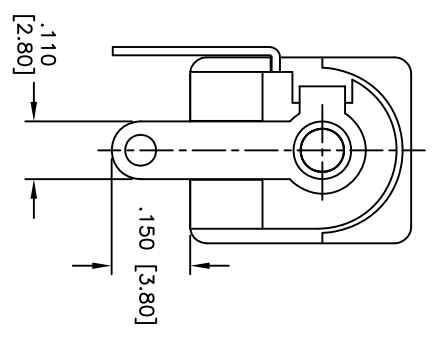
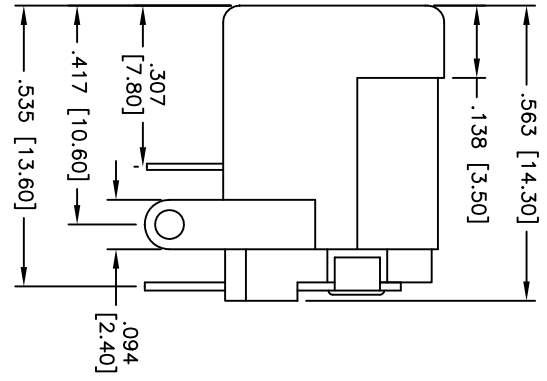
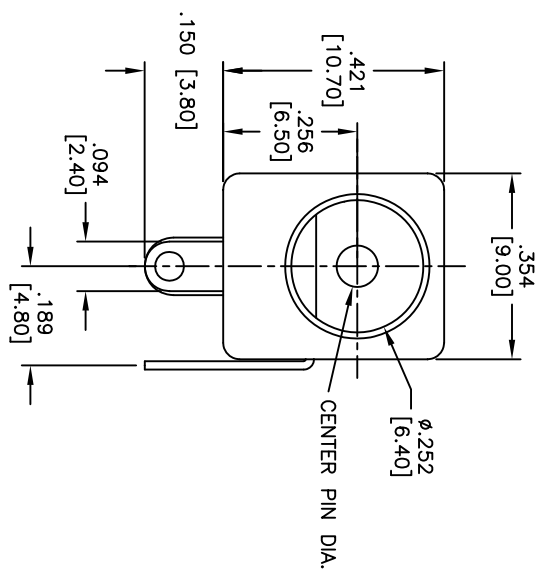


APPROVED: _____
 DATE: _____ TITLE: _____

Rev	AWO #	Description	Date	Appr
-		RELEASED	6/03/09	
A		REDRAWN	4/27/11	



PART NO.	CENTER PIN DIA.
ADC-002A-1-HT	Ø.079 [2.00]
ADC-002A-2-HT	Ø.098 [2.50]

SPECIFICATIONS:

Material: Insulator: Hi-temp thermoplastic, rated UL 94V-0
 Insulator color: Black
 Contacts: Copper Alloy, Tin plated
 Center Pin: Brass, Nickel plated
 Electrical:
 Operating voltage: DC 30V max.
 Current rating: 1 Amps
 Contact resistance: 30 mohms max.
 Insulation resistance: 100 Mohms min.
 Dielectric withstanding voltage: 500 VAC for 1 minute
 Temperature Rating:
 Operating temperature: -20°C to +70°C
 Environmental:
 Lead free, RoHS compliant

A

UNLESS OTHERWISE SPECIFIED ALL DIMENSIONS ARE INCHES [MM] TOLERANCES: EXCEPT AS NOTED
.X INCHES
.XX ±.10
.XX ±.020
.XXX ±.015
.XXX ±.015
APPROVALS
DATE
DRAWN
DY
6/03/09
CHECKED
APPROVED

ADAM TECH
 909 Railway Avenue, Union, NJ 07083
 Phone: 908-687-5000 Fax: 908-687-5710

TITLE: DC POWER JACK, 2.00mm, 2.50mm, CENTER PIN

A

B

PART NO.	CENTER PIN DIA.
ADC-002A-1-HT	Ø.079 [2.00]
ADC-002A-2-HT	Ø.098 [2.50]

B

C

PART NO.	CENTER PIN DIA.
ADC-002A-1-HT	Ø.079 [2.00]
ADC-002A-2-HT	Ø.098 [2.50]

C

D

PART NO.	CENTER PIN DIA.
ADC-002A-1-HT	Ø.079 [2.00]
ADC-002A-2-HT	Ø.098 [2.50]

D

6

5

4

3

2

1

A



SIZE	PART NO.	REV.
X	ADC-002A-X-HT	A
REF: S0002C	SCALE: NTS	SHEET 1 OF 1