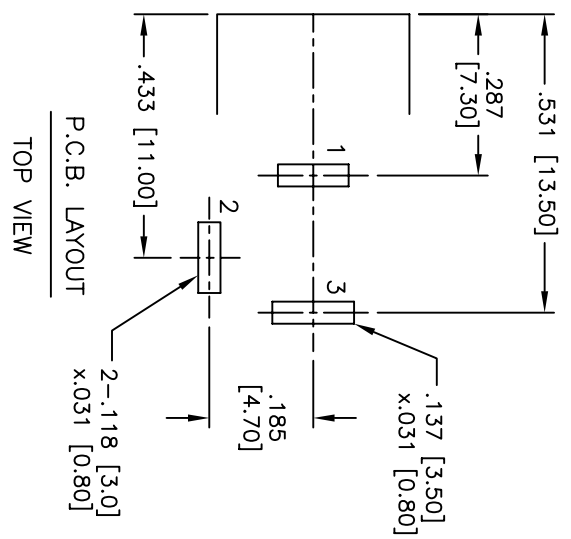
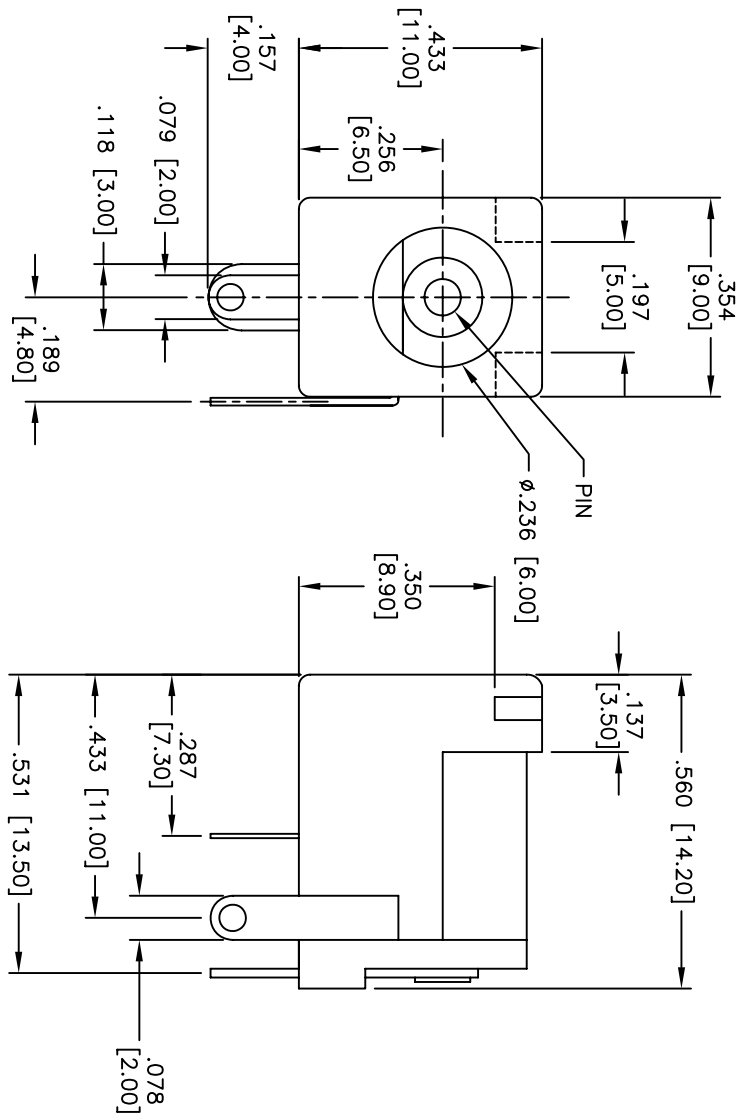


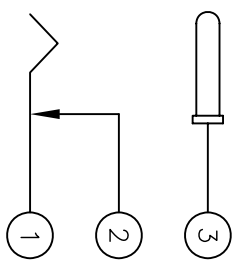
Rev	AWO #	Description	Date	Appr
-		RELEASED	5/11/06	

APPROVED: _____
 DATE: _____ TITLE: _____



P/N	Center Pin Dia
ADC-002A-1-N	.078 [2.00 mm]
ADC-002A-2-N	.098 [2.50 mm]

SCHEMATIC



SPECIFICATIONS:

Material:
 Insulator: PBT, glass reinforced, rated UL 94V-0
 Insulator color: Black
 Contacts: Phosphor Bronze
 Plating:
 Gold flash over Nickel underplate overall

Electrical:
 Operating voltage: 30 VDC max
 Current rating: 0.5 Amp max
 Contact resistance: 0.03 mohms max
 Insulation resistance: 100 Mohms min
 Dielectric withstanding voltage: 500 VAC for 1 minute

Environmental:
 Temperature Rating:
 Operating temperature: -65°C to +125°C
 Lead free, RoHS compliant
 Recommended soldering temp: 235°C for 5 seconds

ADAM TECH

909 Rahway Avenue, Union, NJ 07083
 Phone: 908-687-5000 Fax: 908-687-5710

DC POWER JACK, NOTCHED HOUSING
 2.0mm THRU 2.5mm DIA. CENTER PIN

UNLESS OTHERWISE SPECIFIED ALL DIMENSIONS ARE INCHES [MM]	
TOLERANCES: EXCEPT AS NOTED	
INCHES	HOLDS
.X ± .10	ØXX ± .10
.XX ± .020	ØXXX ± .015
.XXX ± .015	ØXXXX ± .010
APPROVALS	DATE
DRAWN	BW
CHECKED	5/11/06
APPROVED	

SIZE	PART NO.	REV.
X	ADC-002A-X-N	-
REF:	SCALE: NTS	SHEET 1 OF 1

6 5 4 3 2 1

A B C D

