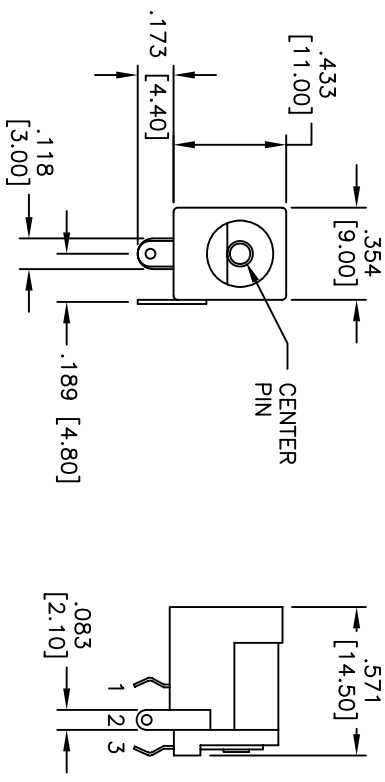
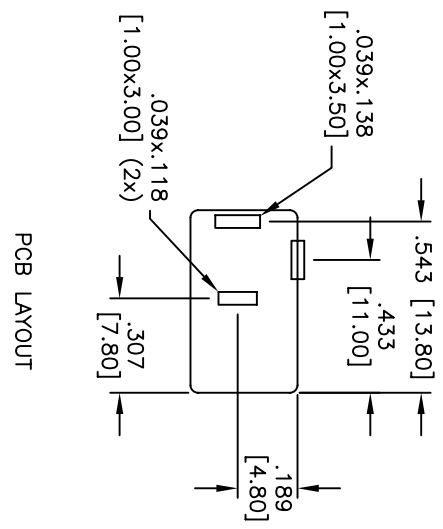
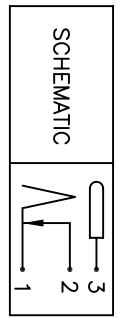


APPROVED: _____
 DATE: _____ TITLE: _____

Rev	AWO #	Description	Date	Appr
-		RELEASED	04/19/05	
A		ADDED -2 & -11 TYPES	08/31/05	BAS



PART NO.	CENTER PIN DIA.
ADC-002A-1-RT	.079 [2.00]
ADC-002A-2-RT	.098 [2.50]
ADC-002A-5-RT	.093 [2.35]
ADC-002A-11-RT	.118 [3.0]



PCB LAYOUT

SPECIFICATIONS:

Material:
 Insulator: PBT, Glass reinforced, rated UL 94V-0
 Insulator color: Black
 Center Pin: Brass, Nickel plated
 Contacts: Copper Alloy
Plating:
 Silver over Nickel underplate
Electrical:
 Operating voltage: 12 VDC max.
 Current rating: 1 Amp max.
 Contact resistance: 30 mohms max. initial
 Insulation resistance: 50 Mohms min.
 Dielectric withstanding voltage: 250 VAC for 1 minute
Temperature Rating:
 Operating temperature: -25°C to +70°C
Environmental:
 Lead free, RoHS compliant.
 Recommended soldering temp: 235°C for 5 sec.

ADAM TECH

909 Rahway Avenue, Union, NJ 07083
 Phone: 908-687-5000 Fax: 908-687-5710

DC POWER JACK



UNLESS OTHERWISE SPECIFIED ALL DIMENSIONS ARE INCHES [MM]	
TOLERANCES: EXCEPT AS NOTED	HOLE SIZE
.X ± .10	Ø.XX ± .015
.XX ± .020	Ø.XXX ± .010
.XXX ± .015	Ø.XXXX ± .010
APPROVALS	DATE
DRAWN SS	04/19/05
CHECKED	
APPROVED	

SIZE	PART NO.	REV.
X	ADC-002A-X-RT	-
REF:	SCALE: NTS	SHEET 1 OF 1