

6

5

4

3

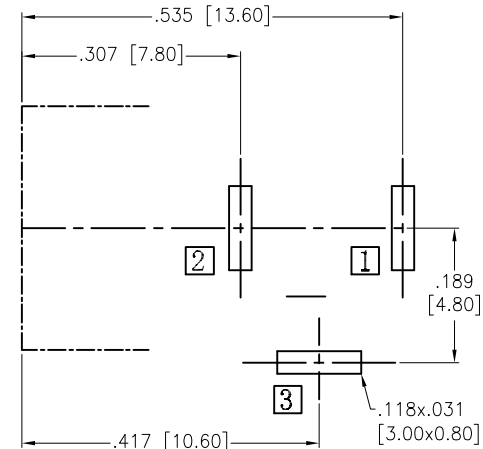
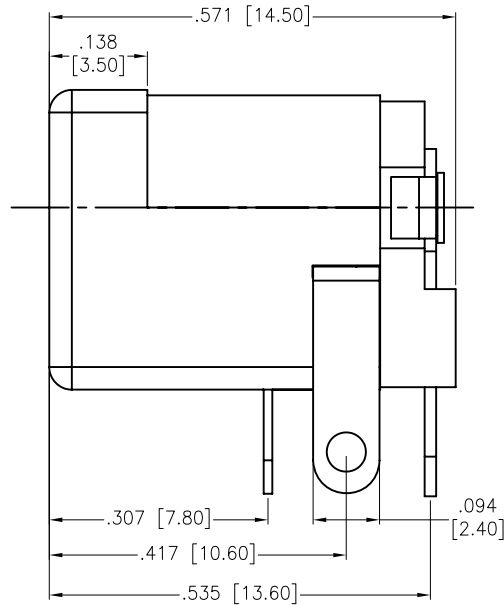
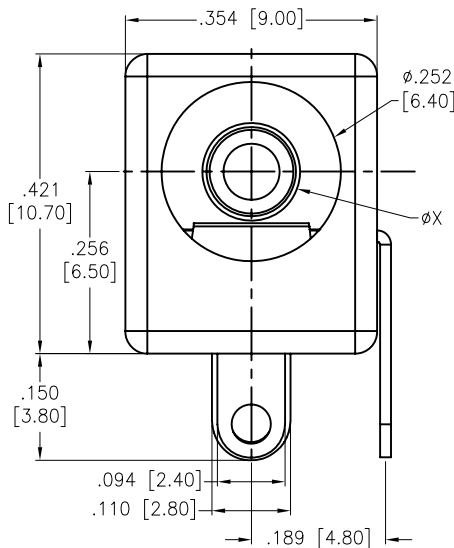
2

1

APPROVED: \_\_\_\_\_

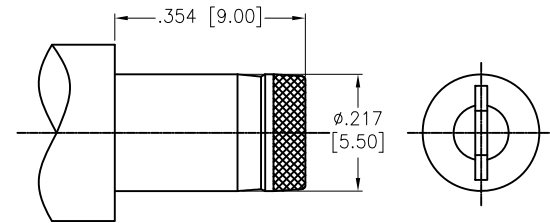
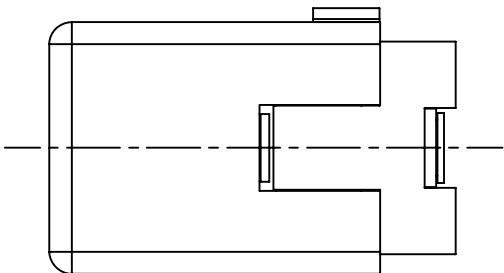
DATE: \_\_\_\_\_ TITLE: \_\_\_\_\_

Rev	AWO #	Description	Date	Appr
-		RELEASED	5/6/16	



RECOMMENDED PCB LAYOUT

P/N	Dim. X
ADC-002A-1-WT	.079 [2.00 mm]
ADC-002A-2-WT	.098 [2.50 mm]
ADC-002A-5-WT	.093 [2.35 mm]
ADC-002A-9-WT	.065 [1.65 mm]

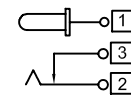


SPECIFICATIONS:

Material:  
 Insulator: PBT, rated UL 94V-0  
 Insulator color: White  
 Cover: PBT, rated UL 94V-0, Color White  
 Center Pin: Brass, Nickel plated  
 Contacts: Copper Alloy  
 Spring: Phosphor Bronze, Tin plated  
 Plating:  
 Tin over Copper underplate overall  
 Electrical:  
 Operating voltage: 16 VDC max  
 Current rating: 5 Amp max  
 Contact resistance: 30 mohms max  
 Insulation resistance: 100 Mohms min @ 500 VDC  
 Dielectric withstanding voltage: 500 VAC for 1 minute  
 Temperature Rating:  
 Operating temperature: -20°C to +85°C  
 Environmental:  
 Lead free, RoHS compliant.



CIRCUIT DIAGRAM



UNLESS OTHERWISE SPECIFIED ALL DIMENSIONS ARE MM [INCHES] TOLERANCES: EXCEPT AS NOTED		
INCHES		HOLES
.X ± .10	Ø.X ± .10	
.XX ± .020	Ø.XX ± .015	
.XXX ± .015	Ø.XXX ± .010	
APPROVALS		DATE
DRAWN	AY	5/6/16
CHECKED	NC	5/6/16
APPROVED		

<b>ADAM TECH</b>		
909 Rahway Avenue, Union, NJ 07083 Phone: 908-687-5000 Fax: 908-687-5710		
TITLE: DC POWER JACK, CENTER PIN 2.00MM, 2.35MM, 2.50MM 1.65MM		
SIZE X	PART NO. ADC-002A-X-WT	REV. -
REF: S00002C	SCALE: NTS	SHEET 1 OF 1

6

5

4

3

2

1