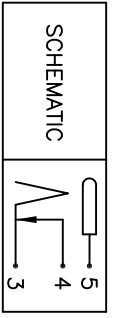
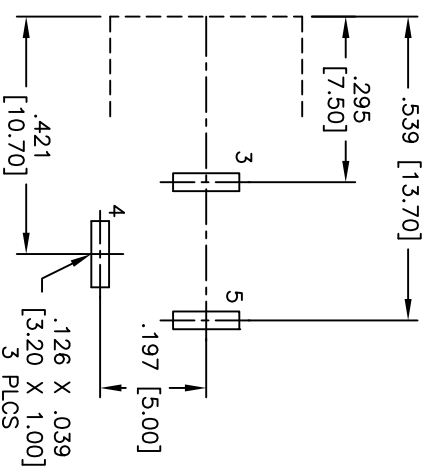
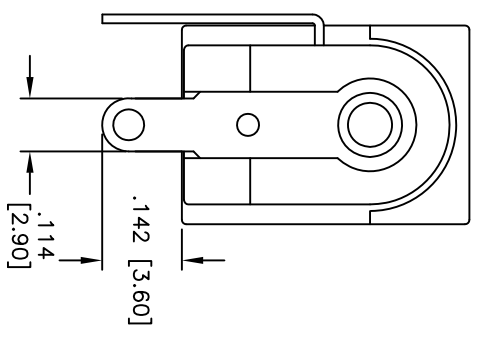
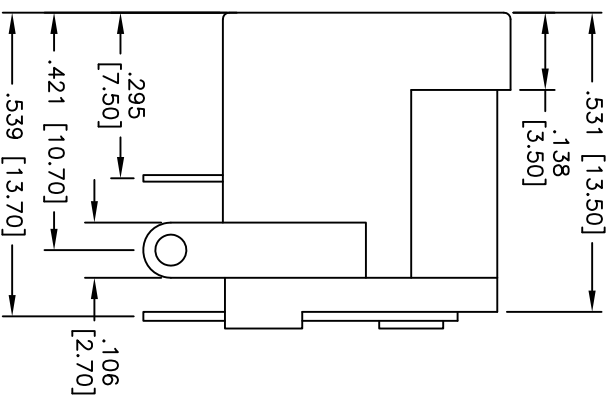
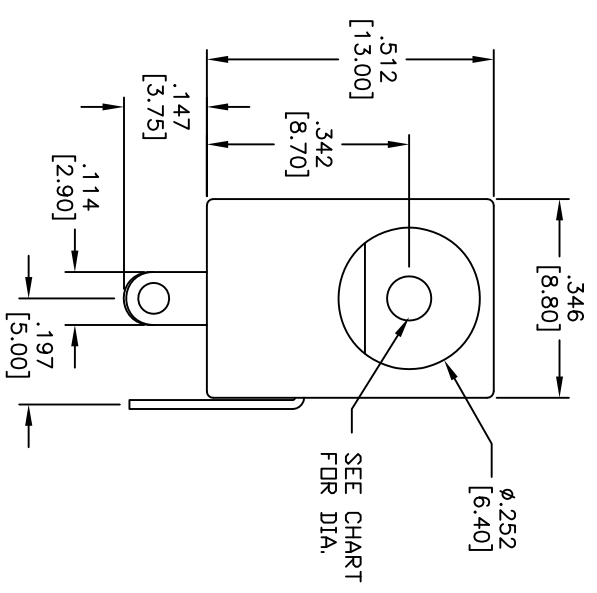


Rev	AWO #	Description	Date	Appr
-		RELEASED	1/08/10	

APPROVED: _____
 DATE: _____ TITLE: _____



P/N	Center Pin Dia
ADC-002E-1	2.00 mm
ADC-002E-2	2.50 mm

B SPECIFICATIONS:
 Material: Insulator: PBT, rated UL 94V-0
 Insulator color: Black
 Contacts: Copper Alloy
 Plating: Tin over Copper underplate overall
 Electrical: Operating voltage: 30 VDC max.
 Current rating: 1.0 Amp max.
 Contact resistance: 30 mohms max. initial
 Insulation resistance: 100 Mohms min.
 Dielectric withstanding voltage: 500 VAC for 1 minute
 Temperature Rating: Operating temperature: -30°C to +70°C

A Mechanical
 Life cycles: 5,000 cycles
 Environmental: Lead free, RoHS compliant
 Recommended soldering temp: 235°C for 5 sec.

ADAM TECH

909 Railway Avenue, Union, NJ 07083
 Phone: 908-687-5000 Fax: 908-687-5710

DC POWER JACK, 2.00mm, 2.50mm CENTER PIN

UNLESS OTHERWISE SPECIFIED ALL DIMENSIONS ARE INCHES [MM]	
TOLERANCES: EXCEPT AS NOTED	
INCHES	HOLDS
.X ± .10	ØXX ± .10
.XX ± .020	ØXXX ± .015
.XXX ± .015	ØXXXX ± .010
APPROVALS	DATE
DRAWN DY	1/08/10
CHECKED	
APPROVED	

SIZE	PART NO.	REV.
X	ADC-002E-X	-
REF:	SCALE: NTS	SHEET 1 OF 1



6 5 4 3 2 1