

Rev	AWO #	Description	Date	Appr
-		RELEASED	1/08/10	

6

5

4

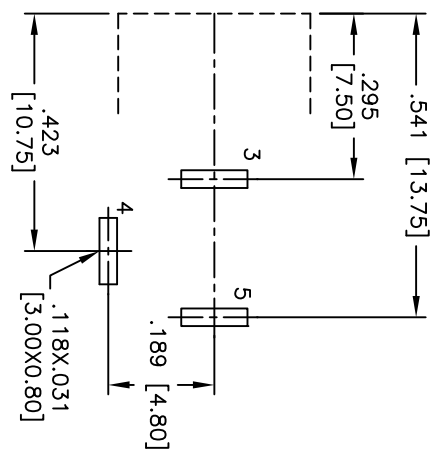
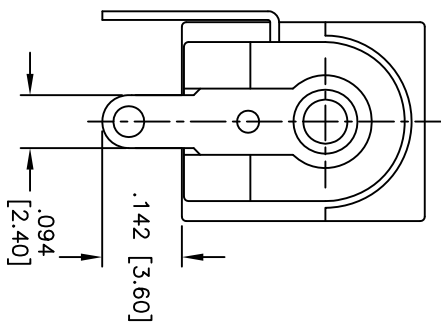
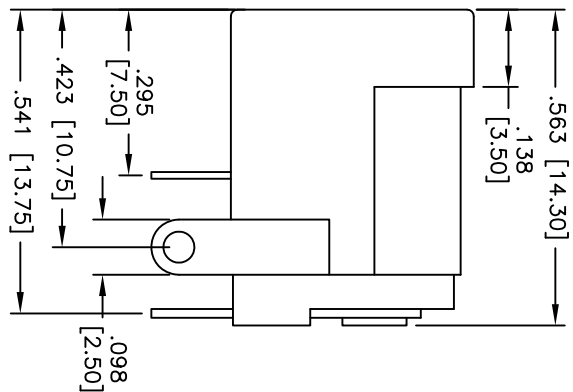
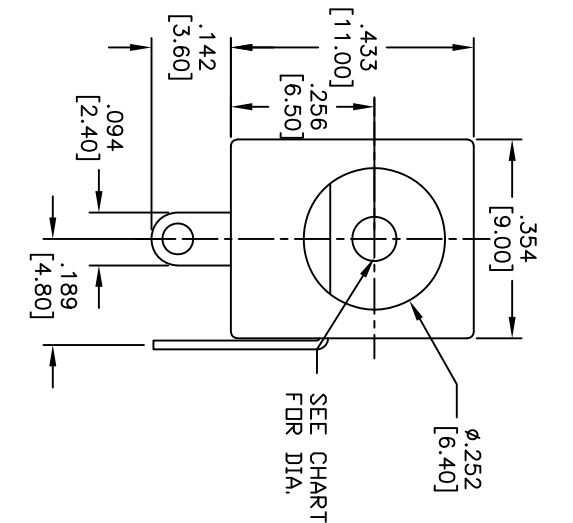
3

2

1

APPROVED: _____

DATE: _____ TITLE: _____

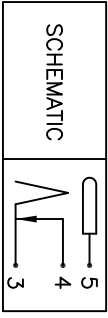


B

B

SPECIFICATIONS:

Material: Insulator: PBT, rated UL 94V-0
 Insulator color: Black
 Contacts: Copper Alloy
 Plating: Tin over Copper underplate overall
 Electrical: Operating voltage: 30 VDC max.
 Current rating: 1.0 Amp max.
 Contact resistance: 30 mohms max. initial
 Insulation resistance: 100 Mohms min.
 Dielectric withstanding voltage: 500 VAC for 1 minute
 Temperature Rating: Operating temperature: -25°C to +70°C
 Environmental: Lead free, RoHS compliant
 Recommended soldering temp: 235°C for 5 sec.



P/N	Center Pin Dia
ADC-002F-1	2.10 mm
ADC-002F-2	2.50 mm

ADAM TECH

909 Rahway Avenue, Union, NJ 07083
 Phone: 908-687-5000 Fax: 908-687-5710

DC POWER JACK, 2.10mm, 2.50mm CENTER PIN

UNLESS OTHERWISE SPECIFIED ALL DIMENSIONS ARE INCHES [MM]	
.X ± .10	ØX ± .10
.XX ± .020	ØXX ± .015
.XXX ± .015	ØXXX ± .010
APPROVALS	
DRAWN	DY
CHECKED	
APPROVED	

TITLE	
SIZE	PART NO.
X	ADC-002F-X
REF: S00040C	SCALE: NTS
	SHEET 1 OF 1

A

A

6

5

4

3

2

1

