

6

5

4

3

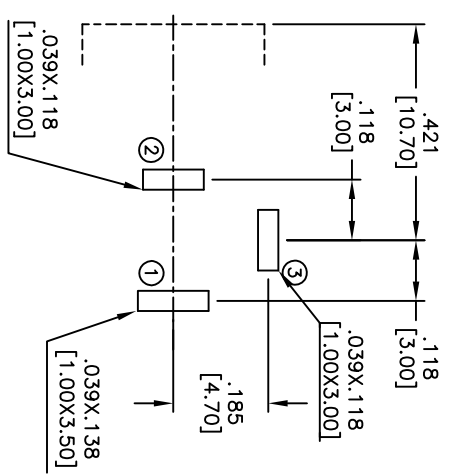
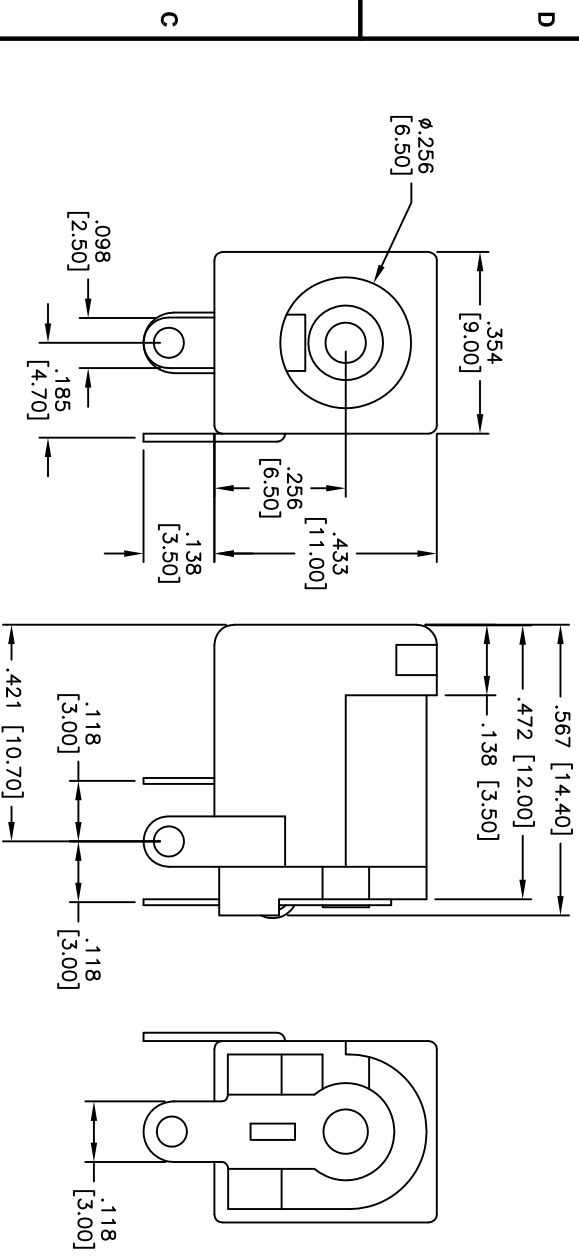
2

1

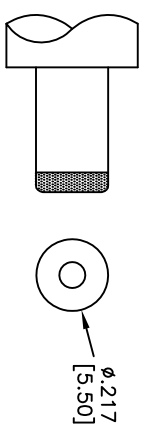
Rev	AWO #	Description	Date	Appr
-		RELEASED	12/08/08	

APPROVED: _____

DATE: _____ TITLE: _____

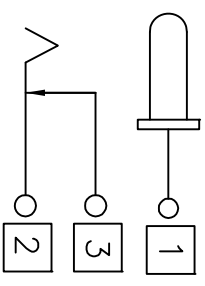


Recommended PCB Layout (BOTTOM VIEW)



DC MATE PLUG

PART NO.	X
ADC-002G-1-N	$\phi .079$ [2.00]
ADC-002G-2-N	$\phi .098$ [2.50]
ADC-002G-9-N	$\phi .065$ [1.65]



ADAM TECH

909 Rahway Avenue, Union, NJ 07083
Phone: 908-687-5000 Fax: 908-687-5710

TITLE: DC POWER JACK WITH NOTCH
2.00mm, 2.50mm, 1.65mm CENTER PIN

SIZE: PART NO. ADC-002G-X-N
REF: S0002/C SCALE: NTS SHEET 1 OF 1

UNLESS OTHERWISE SPECIFIED
ALL DIMENSIONS ARE INCHES [MM]
TOLERANCES: EXCEPT AS NOTED
INCHES: .X ± .10 ØXX ± .015
.XX ± .020 ØXXX ± .010
.XXX ± .015APPROVALS: DRAWN: DY DATE: 12/08/08
CHECKED: APPROVED:

SPECIFICATIONS:
Material: Insulator: PBT, Glass reinforced, rated UL 94V-0
Insulator color: Black
Center Pin: Brass, Nickel plated
Contacts: Copper Alloy
Plating: Silver over Nickel underplate
Electrical: Operating voltage: 20 VDC max.
Current rating: 2.5 Amp max.
Contact resistance: 30 mohms max. initial
Insulation resistance: 100 Mohms min.
Dielectric withstanding voltage: 500 VAC for 1 minute
Temperature Rating: Operating temperature: -25°C to +70°C
Environmental: Lead free, RoHS compliant
Recommended soldering temp: 235°C for 5 sec.