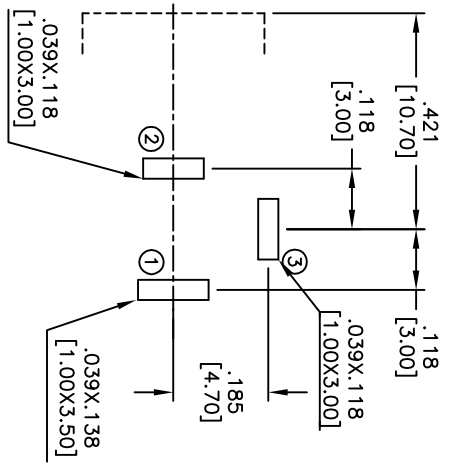
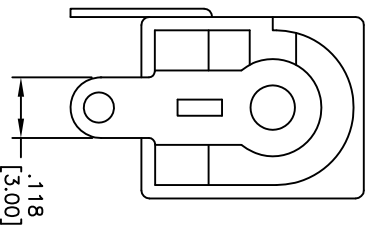
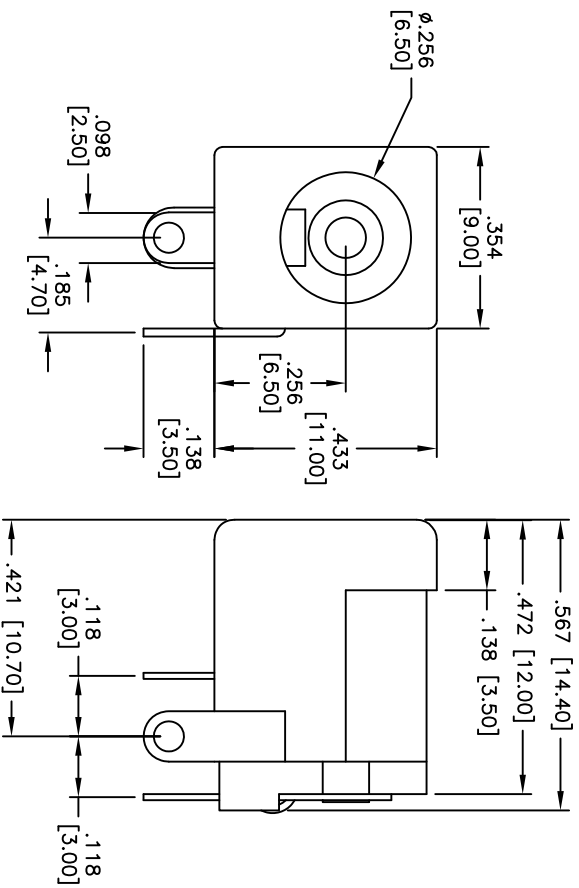
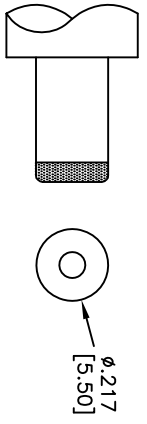


APPROVED: \_\_\_\_\_  
 DATE: \_\_\_\_\_ TITLE: \_\_\_\_\_

Rev	AWO #	Description	Date	Appr
-		RELEASED	12/08/08	
A		REVISED SHAPE	05/28/13	

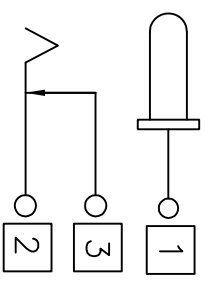


Recommended PCB Layout  
 (BOTTOM VIEW)



DC MATE PLUG

PART NO.	X
ADC-002G-1	Ø.079 [2.00]
ADC-002G-2	Ø.098 [2.50]
ADC-002G-5	Ø.093 [2.35]
ADC-002G-9	Ø.065 [1.65]



1  
2  
3

B

C

D

**SPECIFICATIONS:**  
 Material: PBT, Glass reinforced, rated UL 94V-0  
 Insulator color: Black  
 Center Pin: Brass, Nickel plated  
 Contacts: Copper Alloy  
 Plating: Silver over Nickel underplate  
 Electrical:  
 Operating voltage: 20 VDC max.  
 Current rating: 2.5 Amp max.  
 Contact resistance: 30 mohms max. initial  
 Insulation resistance: 100 Mohms min.  
 Dielectric withstanding voltage: 500 VAC for 1 minute  
 Temperature Rating:  
 Operating temperature: -25°C to +70°C  
 Environmental:  
 Lead free, RoHS compliant

A

**ADAM TECH**

909 Rahway Avenue, Union, NJ 07083  
 Phone: 908-687-5000 Fax: 908-687-5710

TITLE  
 DC POWER JACK,  
 2.00mm, 2.50mm, 1.65mm CENTER PIN

UNLESS OTHERWISE SPECIFIED ALL DIMENSIONS ARE INCHES [MM]	
TOLERANCES: EXCEPT AS NOTED	
INCHES	HOLDS
.X ± .10	± .10
.XX ± .020	± .015
.XXX ± .015	± .010
APPROVALS	DATE
DRAWN	DY
12/08/08	
CHECKED	
APPROVED	

SIZE	PART NO.	REV.
X	ADC-002G-X	A
REF: S0002/C	SCALE: NTS	SHEET 1 OF 1

A

6

5

4

3

2

1

