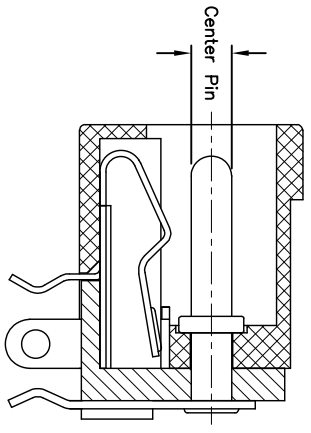
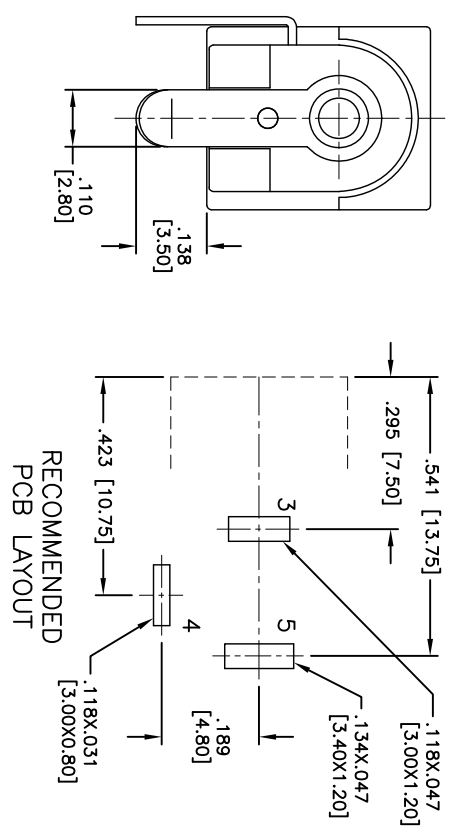
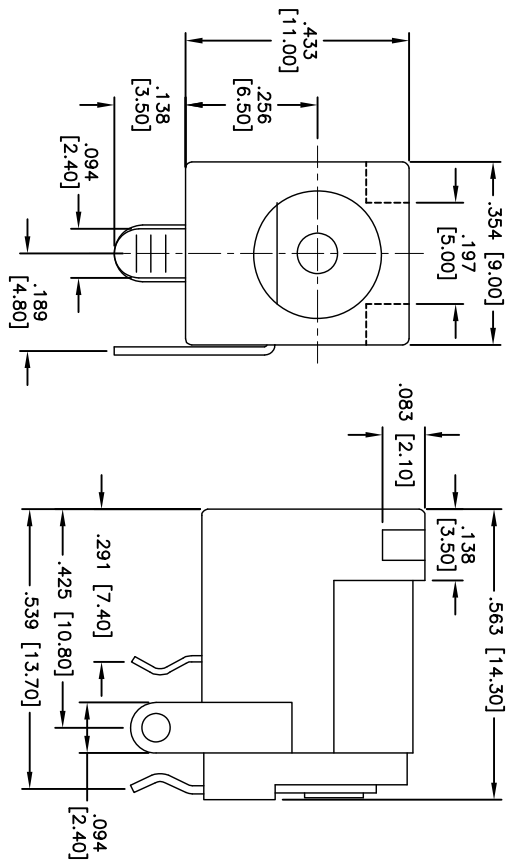
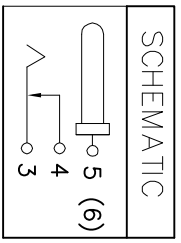


Rev	AWO #	Description	Date	Appr
-		RELEASED	6/25/15	

APPROVED: _____
 DATE: _____ TITLE: _____



ADAM P/N	Center Pin Dia
ADC-002H-1-N-RT1	.078 [2.00 mm]
ADC-002H-2-N-RT1	.098 [2.50 mm]



SPECIFICATIONS:

- Material: Insulator: PBT, rated UL 94V-0
- Insulator color: Black
- Contacts: Copper alloy
- Center pin: Copper, Nickel Plated
- Plating: Tin over Copper underplate overall
- Electrical: Operating voltage: 30 VDC
- Current rating: 2 Amp
- Contact resistance: 0.03Ω
- Insulation resistance: 100 Mohms min
- Dielectric withstanding voltage: 500 VAC for 1 minute
- Environmental: Lead free, RoHS compliant.

ADAM TECH

909 Railway Avenue, Union, NJ 07083
 Phone: 908-687-5000 Fax: 908-687-5710

DC POWER JACK, NOTCHED HOUSING
 2.0mm, 2.5mm DIA, CENTER PIN

UNLESS OTHERWISE SPECIFIED		ALL DIMENSIONS ARE INCHES [MM]	
TOLERANCES EXCEPT AS NOTED		HOLDERS	
.X	± .10	ØX	± .10
.XX	± .020	ØXX	± .015
.XXX	± .015	ØXXX	± .010
APPROVALS		DATE	
DRAWN	AY	6/25/15	
CHECKED	NC	6/25/15	
APPROVED			

TITLE	SIZE	PART NO.	REV.
DC POWER JACK, NOTCHED HOUSING	X	ADC-002H-X-N-RT1	-
2.0mm, 2.5mm DIA, CENTER PIN	X		

