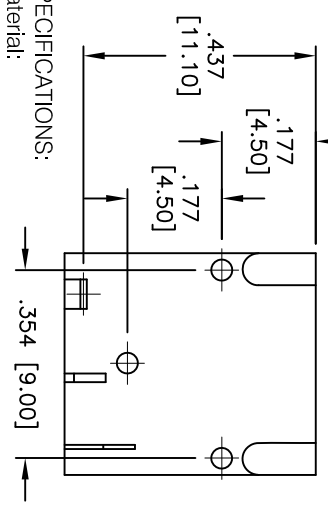
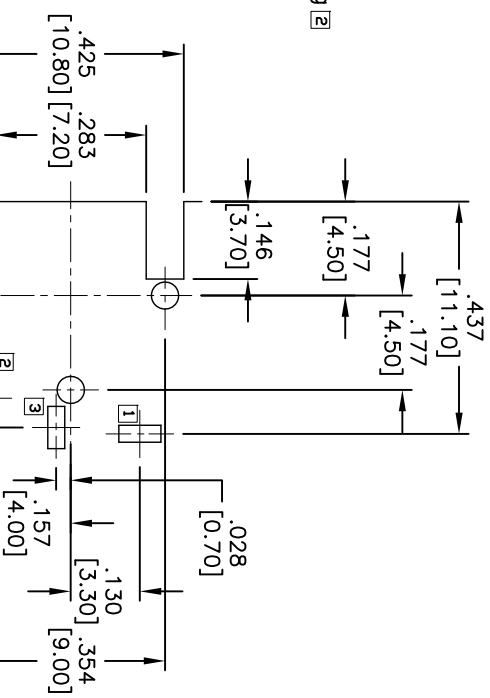
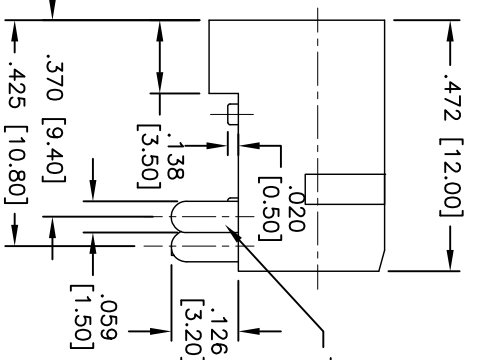
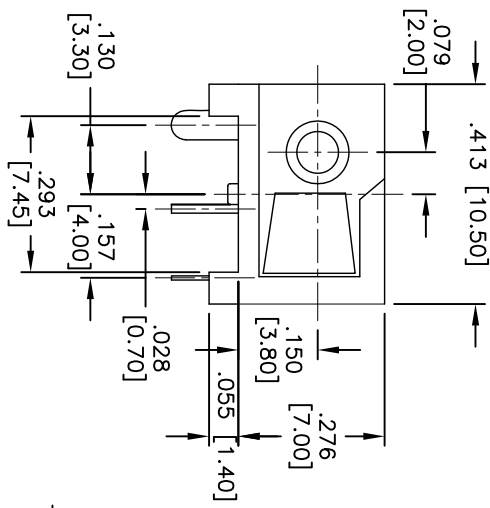


APPROVED: _____
 DATE: _____ TITLE: _____

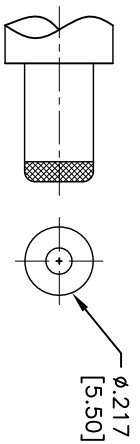
Rev	AWO #	Description	Date	Appr
-		RELEASED	12/10/04	
A		REDRAWN	11/24/11	



PART NO.	CENTER PIN DIA.
ADC-003-1	.079 [2.00]
ADC-003-2	.098 [2.50]

SCHEMATIC

RECOMMENDED PCB LAYOUT



DC MATE PLUG

SPECIFICATIONS:
 Material: Insulator: PBT, Glass reinforced, rated UL 94V-0
 Insulator color: Black
 Center Pin: Copper Alloy, Nickel plated
 Contacts: Brass
 Tip Spring: Stainless steel, Silver plated
 Plating: Silver over Nickel underplate
 Electrical:
 Operating voltage: 20 VDC max.
 Current rating: 2 Amp max.
 Contact resistance: 50 mohms max. initial
 Insulation resistance: 100 Mohms min.
 Dielectric withstanding voltage: 500 VAC for 1 minute
 Temperature Rating: Operating temperature: -20°C to +70°C
 Environmental:
 Lead free, RoHS compliant.
 Recommended soldering temp: 235 for 5 sec.

ADAM TECH
 909 Railway Avenue, Union, NJ 07083
 Phone: 908-687-5000 Fax: 908-687-5710

UNLESS OTHERWISE SPECIFIED ALL DIMENSIONS ARE INCHES [MM]	
TOLERANCES: EXCEPT AS NOTED	
INCHES	HOLES
X ± .10	ØX ± .10
.XX ± .020	ØXX ± .015
.XXX ± .015	ØXXX ± .010
APPROVALS	DATE
DRAWN SS	10/4/04
CHECKED	
APPROVED	

TITLE	
DC POWER JACK	
SIZE	PART NO.
X	ADC-003-X
REF: S0002C	SCALE: NTS
SHEET 1 OF 1	REV. A

