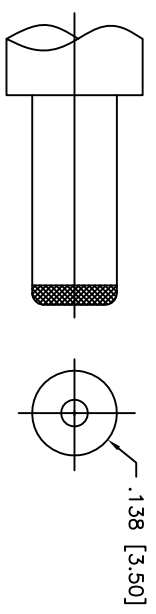
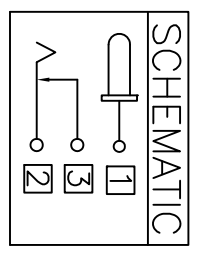
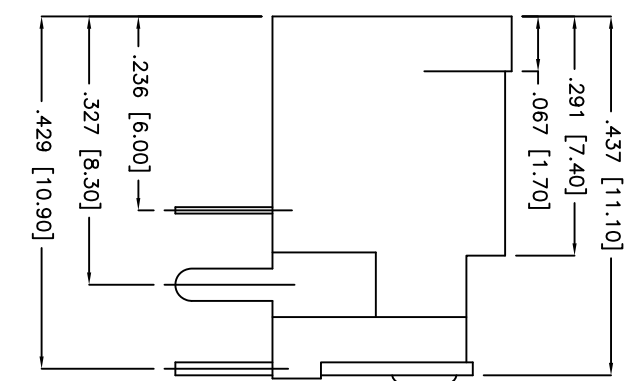
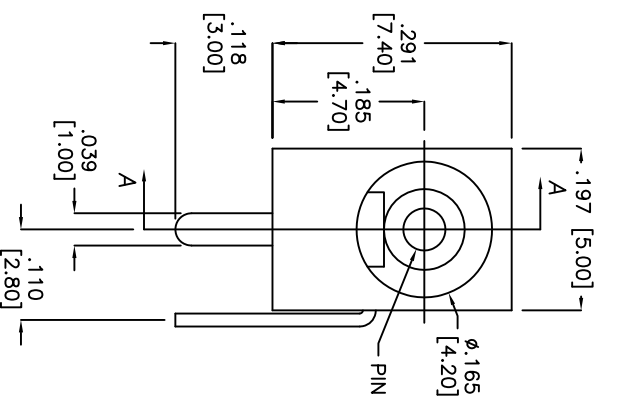
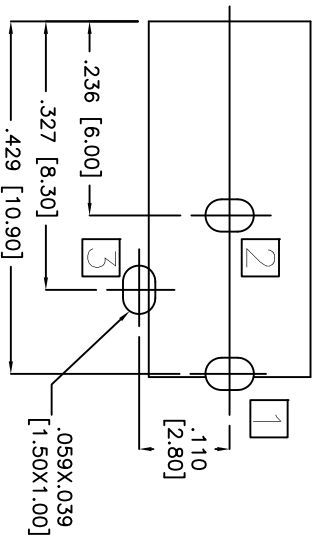
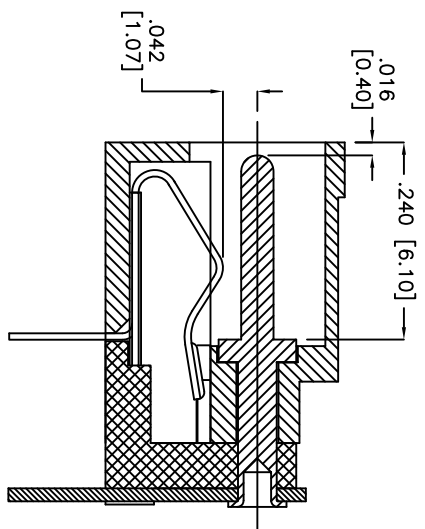


APPROVED: _____
 DATE: _____ TITLE: _____

Rev	AWO #	Description	Date	Appr
-		RELEASED	10/17/13	
A		REVISED SPEC.	10/21/13	AY/GH



PART NO.	PIN
ADC-007-3-GY	Ø.039 [1.00]
ADC-007-4-GY	Ø.051 [1.30]



RECOMMENDED PCB LAYOUT

SECTION A-A

A

SPECIFICATIONS:
 Material: Insulator: PBT, Glass reinforced, rated UL 94V-0
 Insulator color: Grey (Pantone Number : 428C)
 Center Pin: Copper Alloy, Nickel plated
 Spring: Stainless steel
 Contacts: Brass
 Plating: Silver over Nickel underplate
 Electrical: Operating voltage: 30 VDC max.
 Current rating: 1 Amp max.
 Contact resistance: 50 mohms max. initial
 Insulation resistance: 100 Mohms min.
 Dielectric withstanding voltage: 500 VAC for 1 minute
 Temperature Rating: Operating temperature: -20°C to +70°C
 Environmental: Lead free, RoHS compliant

ADAM TECH

909 Railway Avenue, Union, NJ 07083
 Phone: 908-687-5000 Fax: 908-687-5710

DC POWER JACK, 1.00mm, 1.30mm CENTER PIN

UNLESS OTHERWISE SPECIFIED ALL DIMENSIONS ARE INCHES [MM]		TOLERANCES: EXCEPT AS NOTED	
INCHES	HOLES	INCHES	HOLES
.X ± .10	Ø.X ± .10	.XX ± .020	Ø.XXX ± .015
.XXX ± .015	Ø.XXX ± .010		

APPROVALS	DATE	SIZE	PART NO.	REV.
DRAWN AY	10/17/13	X	ADC-007-X-GY	A
CHECKED GH	10/17/13			
APPROVED				

REF: S0002C SCALE: NTS SHEET 1 OF 1

