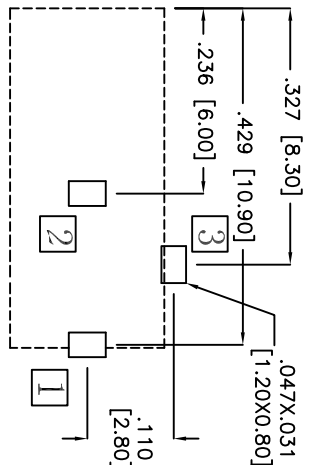
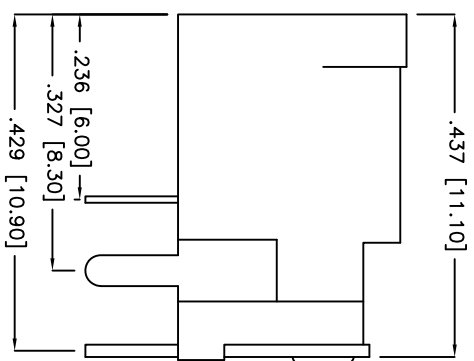
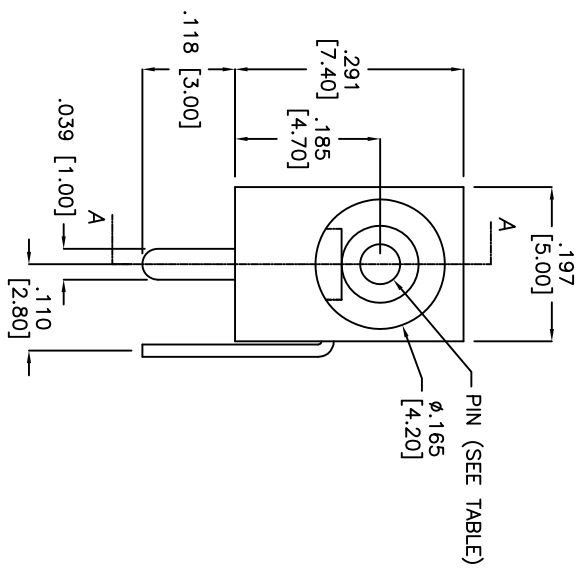
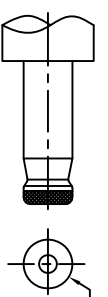
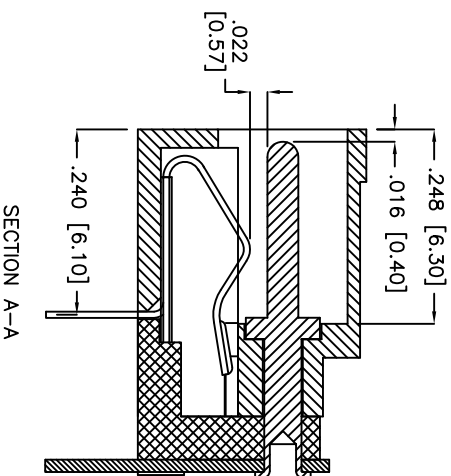
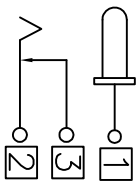


APPROVED: _____
 DATE: _____ TITLE: _____

Rev	AWO #	Description	Date	Appr
-		RELEASED	12/10/04	
A		REDRAWN	7/07/09	



SCHEMATIC



DC MATE PLUG

PART NO.	CENTER PIN DIA.	DC PLUG O.D.
ADC-007-3-HT	.039 [1.00]	.138 [3.50]
ADC-007-4-HT	.051 [1.30]	.138 [3.50]
ADC-007-8-HT	.026 [0.65]	.093 [2.35]

SPECIFICATIONS:

Material: Insulator: Hi-temp thermoplastic, rated UL 94V-0
 Insulator color: Black
 Center Pin: Brass, Nickel plated
 Contacts: Brass

Plating: Silver over Nickel underplate

Electrical: Operating voltage: 20 VDC max.
 Current rating: 2 Amp max.
 Contact resistance: 50 mohms max. initial
 Insulation resistance: 100 Mohms min.
 Dielectric withstanding voltage: 500 VAC for 1 minute

Temperature Rating: Operating temperature: -20°C to +70°C

Environmental: Lead free, RoHS compliant
 Recommended soldering temp: 260°C for 5 sec.



ADAM TECH

909 Rahway Avenue, Union, NJ 07083
 Phone: 908-687-5000 Fax: 908-687-5710

TITLE: DC POWER JACK, 1.00mm, 1.30mm, 0.65mm
 CENTER PIN, RIGHT ANGLE PCB MOUNT

UNLESS OTHERWISE SPECIFIED ALL DIMENSIONS ARE INCHES [MM]		TOLERANCES EXCEPT AS NOTED		HOLDS		DATE	
.X	± .10	ØXX	± .10				
.XX	± .020	ØXXX	± .015				
.XXX	± .015	ØXXX	± .010				
APPROVALS		DATE		DATE		DATE	
DRAWN	SS	10/4/04					
CHECKED							
APPROVED							
SIZE	PART NO.	ADC-007-X-HT		REV.	A		
REF:	SCALE:	S00022C		SHEET	1 OF 1		