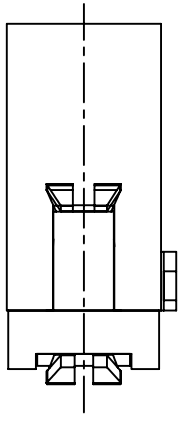
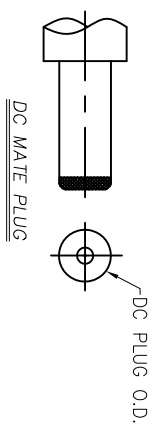
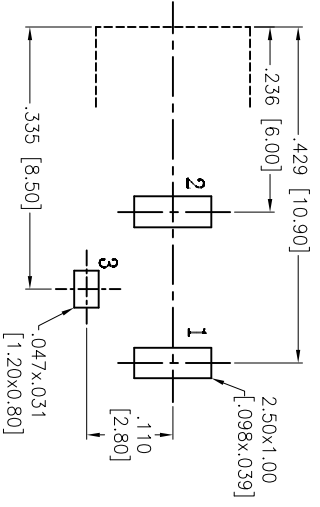
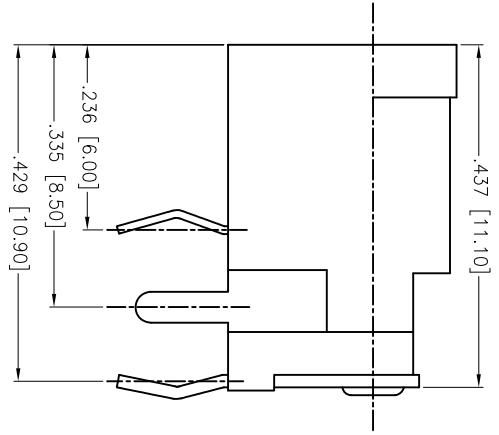
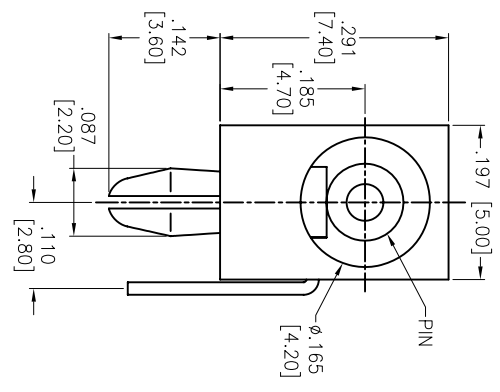


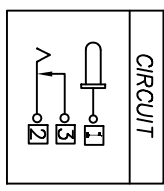
Rev	AWO #	Description	Date	Appr
-		RELEASED	04/01/13	

APPROVED: _____

DATE: _____ TITLE: _____



PART NO.	PIN	DC PLUG O.D.
ADC-007-3	Ø.039 [1.00]	Ø.138 [3.50]
ADC-007-4	Ø.051 [1.30]	Ø.138 [3.50]
ADC-007-9	Ø.065 [1.65]	Ø.157 [4.00]



SPECIFICATIONS:

Material: Insulator: PBT, Glass reinforced, rated UL 94V-0
 Insulator color: Black
 Center Pin: Brass, Nickel plated
 Contacts: Brass
 Plating: Silver over Nickel underplate
 Electrical: Operating voltage: 30 VDC max.
 Current rating: 1 Amp max.
 Contact resistance: 50 mohms max. initial
 Insulation resistance: 100 Mohms min.
 Dielectric withstanding voltage: 500 VAC for 1 minute
 Environmental: Lead free, RoHS compliant

ADAM TECH

909 Rahway Avenue, Union, NJ 07083
 Phone: 908-687-5000 Fax: 908-687-5710

TITLE: DC POWER JACK, 1.00mm, 1.30mm, 1.65mm CENTER PIN

UNLESS OTHERWISE SPECIFIED ALL DIMENSIONS ARE INCHES [MM]	
TOLERANCES: EXCEPT AS NOTED	
INCHES	HOLDS
.X ± .10	Ø.X ± .10
.XX ± .020	Ø.XXX ± .015
.XXX ± .015	Ø.XXX ± .010
APPROVALS	
DRAWN TW	DATE 04/01/13
CHECKED GH	DATE 04/01/13
APPROVED	

SIZE X	PART NO. ADC-007-X-RT	REV. -
REF: S0002C	SCALE: NTS	SHEET 1 OF 1

