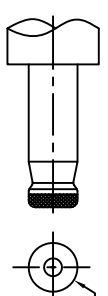
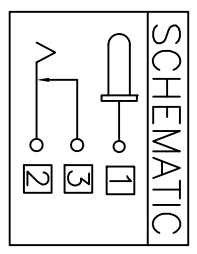
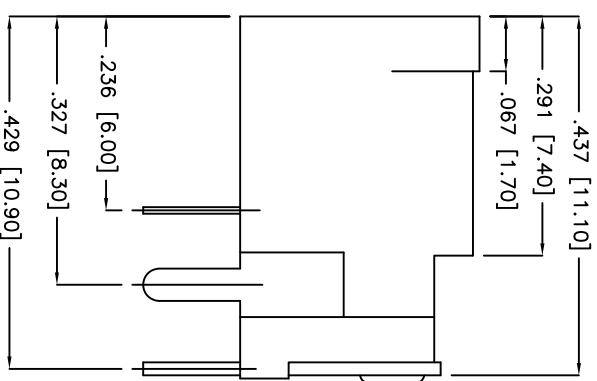
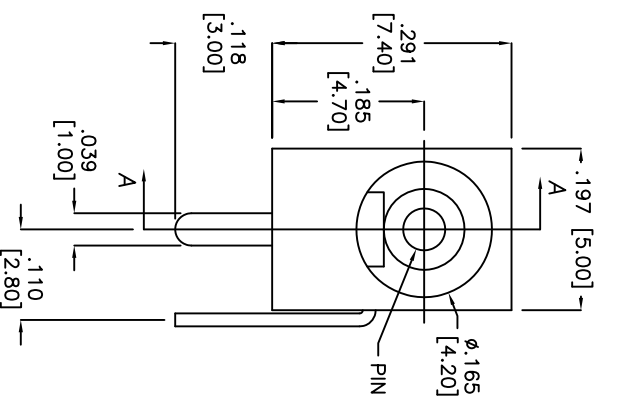


Rev	AWO #	Description	Date	Appr
-		RELEASED	2/12/14	

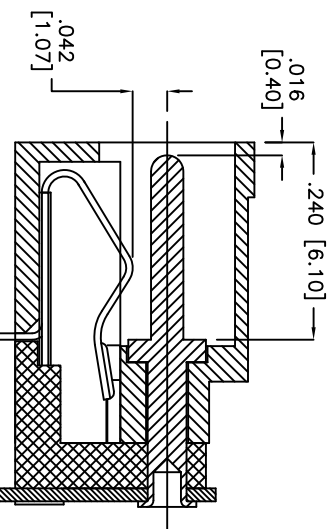
APPROVED: _____
 DATE: _____ TITLE: _____



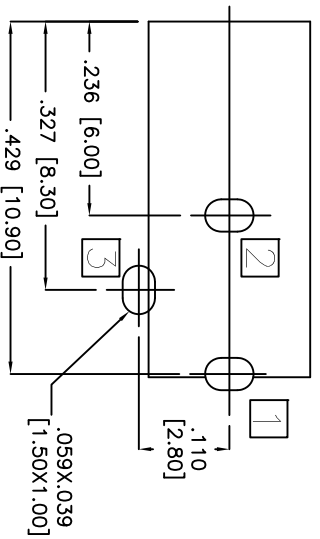
DC MATE PLUG

DC PLUG O.D.

PART NO.	CENTER PIN DIA.	DC PLUG O.D.
ADC-007-3-WT	.039 [1.00]	.138 [3.50]
ADC-007-4-WT	.051 [1.30]	.138 [3.50]
ADC-007-8-WT	.026 [0.65]	.093 [2.35]



SECTION A-A



RECOMMENDED PCB LAYOUT

SPECIFICATIONS:

- Material: Insulator: PBT, Glass reinforced, rated UL 94V-0
- Insulator color: White (XH1013 PBT)
- Center Pin: Copper Alloy, Nickel plated
- Spring: Stainless steel
- Contacts: Brass
- Plating: Silver over Nickel underplate

- Electrical: Operating voltage: 30 VDC max.
- Current rating: 1 Amp max.
- Contact resistance: 50 mohms max. initial
- Insulation resistance: 100 Mohms min.
- Dielectric withstanding voltage: 500 VAC for 1 minute

- Temperature Rating: Operating temperature: -20°C to +70°C
- Environmental: Lead free, RoHS compliant



ADAM TECH

909 Railway Avenue, Union, NJ 07083
 Phone: 908-687-5000 Fax: 908-687-5710

DC POWER JACK, 0.65, 1.00, 1.30mm CENTER PIN

UNLESS OTHERWISE SPECIFIED ALL DIMENSIONS ARE INCHES [MM]		TOLERANCES: EXCEPT AS NOTED	
.X	± .10	Ø.X	± .10
.XX	± .020	Ø.XX	± .015
.XXX	± .015	Ø.XXX	± .010
APPROVALS		DATE	
DRAWN	AY	2/12/14	
CHECKED	GH	2/12/14	
APPROVED			
SIZE	PART NO.	SCALE	REV.
X	ADC-007-X-WT	NTS	-
REF:	S0002C	SHEET	1 OF 1