

6

5

4

3

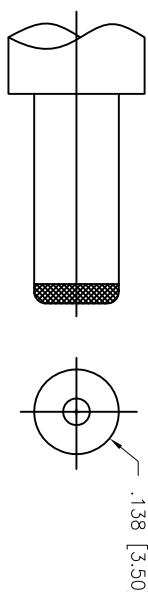
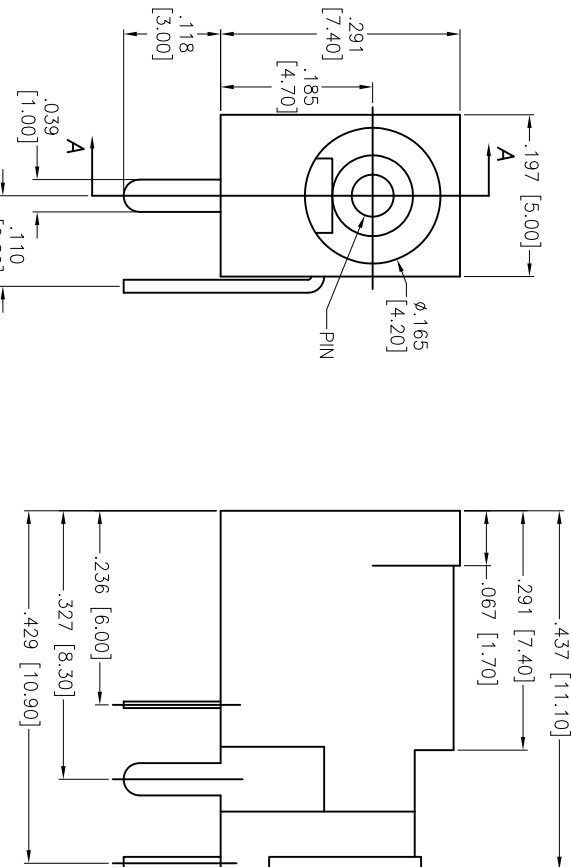
2

1

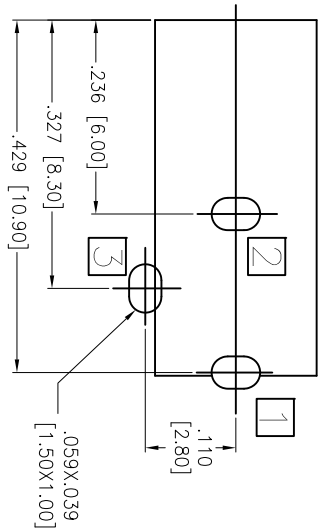
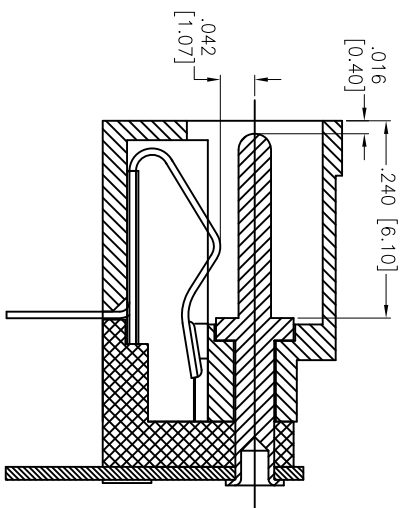
APPROVED: \_\_\_\_\_

DATE: \_\_\_\_\_ TITLE: \_\_\_\_\_

Rev	AWO #	Description	Date	Appr
-		RELEASED	12/10/04	
A		ADDED ROHS TO SPECS	03/09/05	
B		REVISED DIM.	3/23/09	
C		REVISED SPEC.	10/21/13	AY/GH
D		ADDED DIM.	12/24/13	TW/GD



PART NO.	PIN
ADC-007-3	Ø0.039 [1.00]
ADC-007-4	Ø0.051 [1.30]
ADC-007-8	Ø0.026 [0.65]



**SPECIFICATIONS:**

**Material:**  
 Insulator: PBT, Glass reinforced, rated UL 94V-0  
 Insulator color: Black  
 Center Pin: Copper Alloy, Nickel plated  
 Spring: Stainless steel  
 Contacts: Brass

**Plating:**  
 Silver over Nickel underplate

**Electrical:**  
 Operating voltage: 30 VDC max.  
 Current rating: 1 Amp max.  
 Contact resistance: 50 mohms max. initial  
 Insulation resistance: 100 Mohms min.  
 Dielectric withstanding voltage: 500 VAC for 1 minute

**Temperature Rating:**  
 Operating temperature: -20°C to +70°C

**Environmental:**  
 Lead free, RoHS compliant

Operating temperature: -20°C to +70°C



**ADAM TECH**

909 Railway Avenue, Union, NJ 07083  
 Phone: 908-687-5000 Fax: 908-687-5710

UNLESS OTHERWISE SPECIFIED ALL DIMENSIONS ARE INCHES [MM]		TOLERANCES EXCEPT AS NOTED	
INCHES	± .10	ØXX	± .10
.XX	± .020	ØXXX	± .015
.XXX	± .015	ØXXXX	± .010
APPROVALS		DATE	
DRAWN	SS	10/4/04	
CHECKED			
APPROVED			
TITLE		SIZE	PART NO.
DC POWER JACK, 0.65mm, 1.00mm, 1.30mm CENTER PIN		X	ADC-007-X
REF: S0002C		SCALE: NTS	SHEET 1 OF 1
		REV.	D

6

5

4

3

2

1