

6

5

4

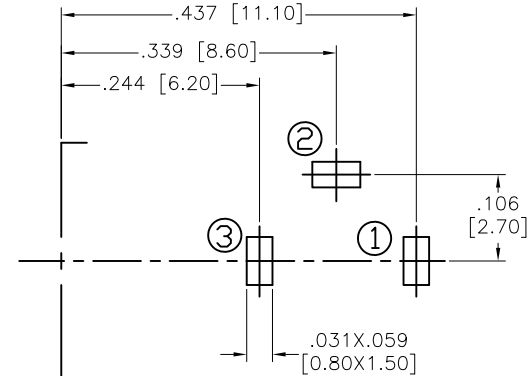
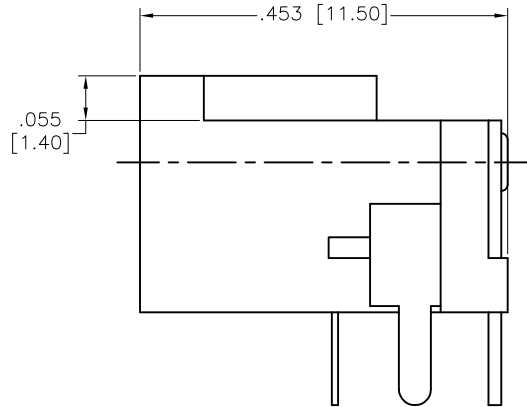
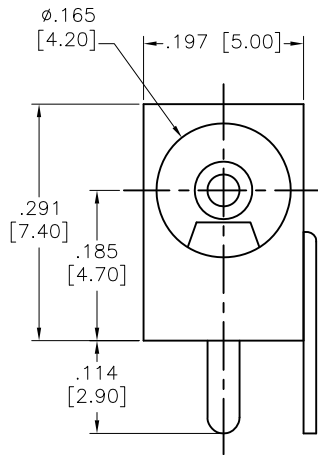
3

2

1

APPROVED: _____
 DATE: _____ TITLE: _____

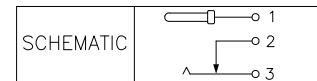
Rev	AWO #	Description	Date	Appr
-		RELEASED	8/22/16	



RECOMMENDED P.C.B LAYOUT
(BOTTOM VIEW)

SPECIFICATIONS:

Material:
 Insulator: Hi-Temp thermoplastic, rated UL 94V-0
 Insulator color: Black
 Center Pin: Brass, Nickel plated
 Contacts: Copper Alloy, Matte Tin plated
 Electrical:
 Voltage rating: 20 VDC.
 Current rating: 1.5 Amp.
 Contact resistance: Plug to Contacts: 50 mohms max.
 Plug to Ground: 30 mohms max.
 Insulation resistance: 100 Mohms min @ 500 VDC
 Dielectric withstanding voltage: 500 VAC for 1 minute
 Temperature Rating:
 Operating temperature: -25°C to +85°C
 Environmental:
 Lead free, RoHS compliant



PART NO.	CENTER PIN DIA.
ADC-007SA-3-HT	.039 [1.00]
ADC-007SA-4-HT	.051 [1.30]

UNLESS OTHERWISE SPECIFIED
 ALL DIMENSIONS ARE INCHES [MM]
 TOLERANCES: EXCEPT AS NOTED

INCHES		HOLES	
.X	± .10	Ø.X	± .10
.XX	± .020	Ø.XX	± .015
.XXX	± .015	Ø.XXX	± .010

APPROVALS		DATE
DRAWN	AY	8/22/16
CHECKED	SC	8/22/16
APPROVED		

ADAM TECH
 909 Rahway Avenue, Union, NJ 07083
 Phone: 908-687-5000 Fax: 908-687-5710

TITLE: DC POWER JACK, 1.00 & 1.30MM CENTER PIN

SIZE X	PART NO. ADC-007SA-X-HT	REV. -
REF: S00013C	SCALE: NTS	SHEET 1 OF 1

6

5

4

3

2

1