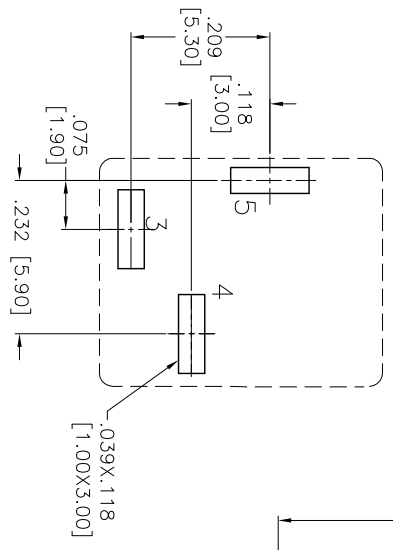
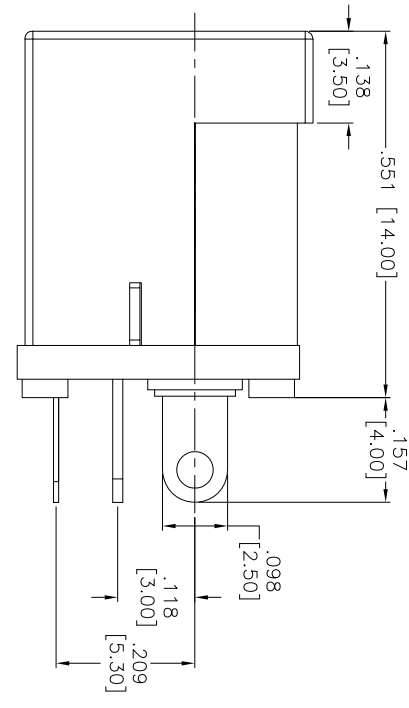
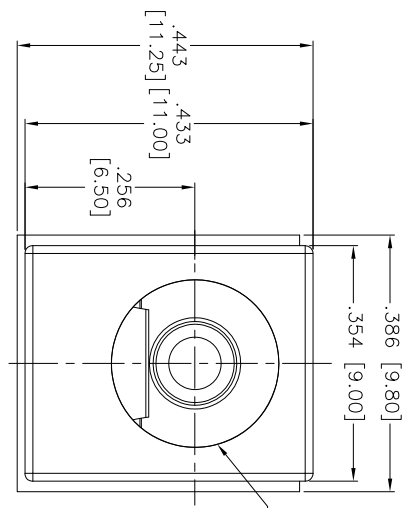
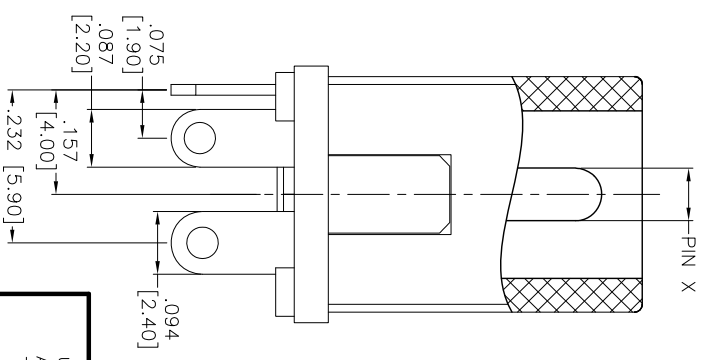
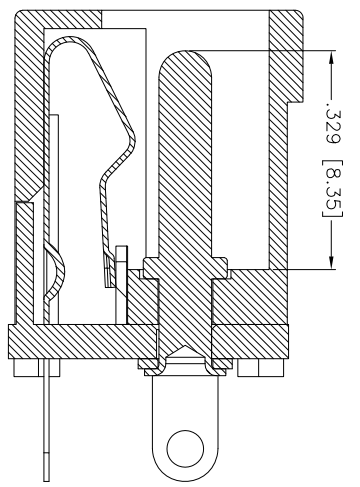


Rev	AWO #	Description	Date	Appr
-		RELEASED	2/17/15	

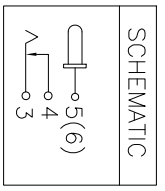
APPROVED: _____
 DATE: _____ TITLE: _____



RECOMMENDED P.C.B LAYOUT



PART NO.	CENTER PIN DIA.	X"
ADC-010-1-50V	.079	[2.00]
ADC-010-2-50V	.098	[2.50]



SPECIFICATIONS:
 Material: Insulator: PBT, Glass reinforced, rated UL 94V-0
 Insulator color: Black
 Center Pin: Brass, Nickel plated
 Contacts: Copper Alloy

Plating: Tin over Copper underplate overall
 Electrical: Operating voltage: 50 VDC max.
 Current rating: 0.5 Amps max.
 Contact resistance: 30 mohms max.
 Insulation resistance: 100 Mohms min, @ 250 VDC.
 Dielectric withstanding voltage: 500 VAC for 1 minute
 Environmental: Lead free, RoHS compliant

ADAM TECH

909 Rahway Avenue, Union, NJ 07083
 Phone: 908-687-5000 Fax: 908-687-5710

TITLE: DC POWER JACK, .098" [2.50], .079" [2.00]
 CENTER PIN, VERTICAL PCB, 50 VOLTS

UNLESS OTHERWISE SPECIFIED ALL DIMENSIONS ARE INCHES [MM]		TOLERANCES EXCEPT AS NOTED INCHES		HOLDS		DATE		TITLE	
.X	± .10	ØX	± .10	ØXXX	± .015	XXX	± .010	APPROVALS	DATE
XX	± .020	ØXXX	± .015	ØXXX	± .010				
XXX	± .015	ØXXX	± .010						
DRAWN		AY	2/17/15	SIZE		PART NO.		REV.	
CHECKED		LL	2/17/15	X		ADC-010-X-50V			
APPROVED				REF:		S00188T		SCALE: NTS	
				SHEET		1 OF 1			

6 5 4 3 2 1

6 5 4 3 2 1

