

6

5

4

3

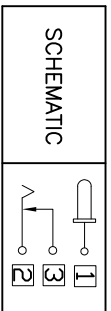
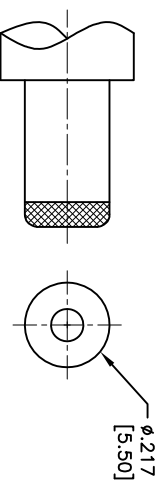
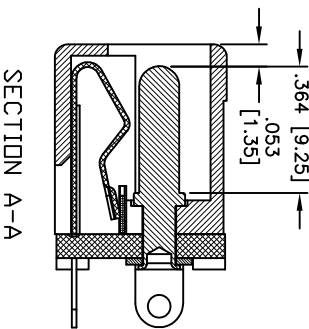
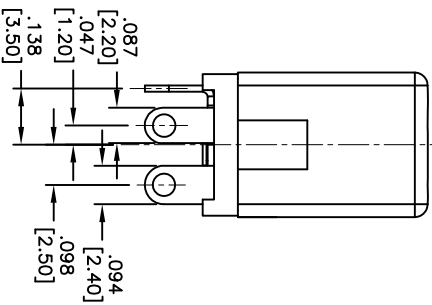
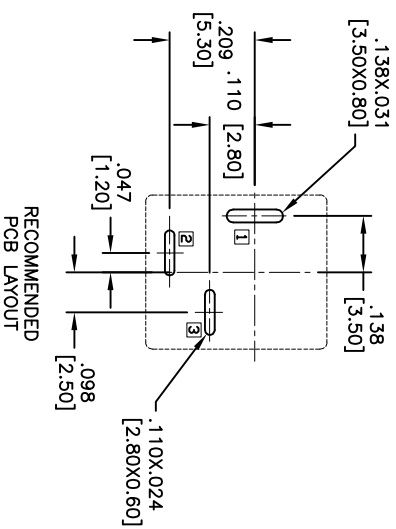
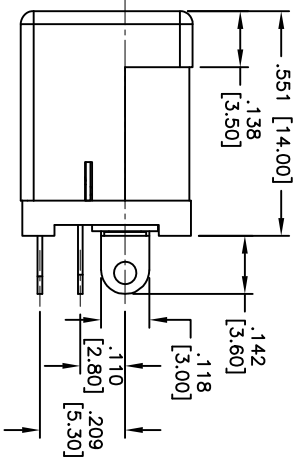
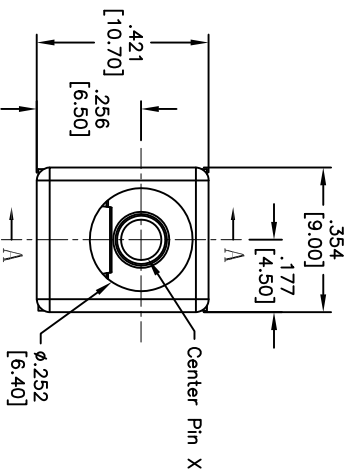
2

1

APPROVED: _____

DATE: _____ TITLE: _____

Rev	AWO #	Description	Date	Appr
-		RELEASED	10/26/06	
A		UPDATED & CORRECTED DIMENSIONS	11/03/06	
B		REDRAWN	1/17/12	
C		REVISED DIM.	5/31/12	



PART NO.	CENTER PIN DIA.
ADC-010-1-HT	.079 [2.00]
ADC-010-2-HT	.098 [2.50]
ADC-010-5-HT	.092 [2.35]

SPECIFICATIONS:

Material:

Insulator: Hi-temp thermoplastic, Glass reinforced, rated UL 94V-0

Insulator color: Black

Center Pin: Brass, Nickel plated

Contacts: Copper Alloy

Plating:

Silver over Nickel underplate

Electrical:

Operating voltage: 20 VDC max.

Current rating: 3 Amp max.

Contact resistance: 30 mohms max. initial

Insulation resistance: 100 Mohms min.

Dielectric withstanding voltage: 500 VAC for 1 minute

Temperature Rating:

Operating temperature: -20°C to +70°C

Environmental:

Lead free, RoHS compliant



ADAM TECH

909 Railway Avenue, Union, NJ 07083
Phone: 908-687-5000 Fax: 908-687-5710

DC POWER JACK

UNLESS OTHERWISE SPECIFIED ALL DIMENSIONS ARE INCHES [MM]	
TOLERANCES: EXCEPT AS NOTED	
INCHES	HOLES
.X ± .10	± .10
.XX ± .020	± .015
.XXX ± .015	± .010
APPROVALS	DATE
DRAWN BW	10/26/06
CHECKED	
APPROVED	

TITLE		SIZE	PART NO.	REV.
DC POWER JACK		X	ADC-010-X-HT	C
REF:	S0002C	SCALE:	NTS	SHEET 1 OF 1

A

B

C

D

A

B

C

D

6

5

4

3

2

1