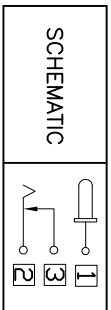
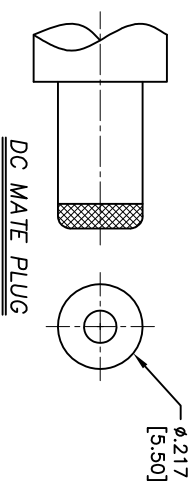
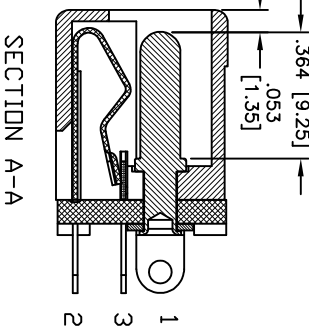
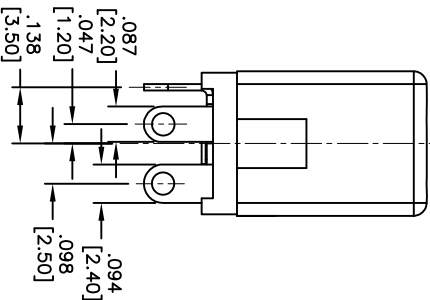
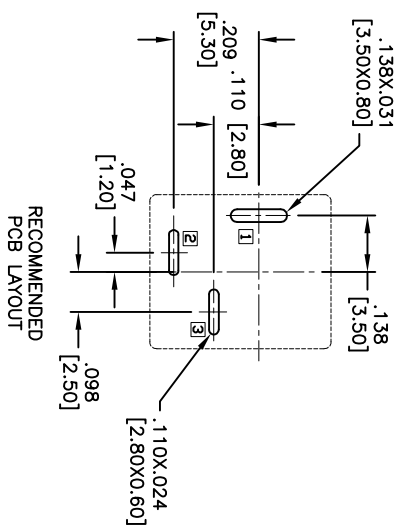
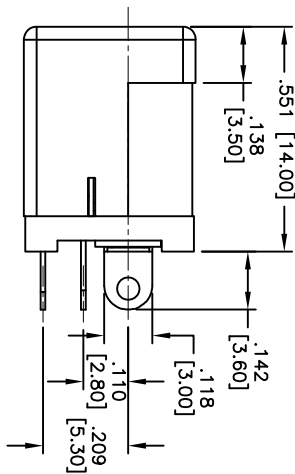
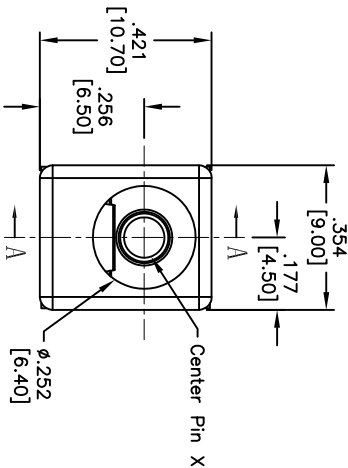


APPROVED: \_\_\_\_\_

DATE: \_\_\_\_\_ TITLE: \_\_\_\_\_

Rev	AWO #	Description	Date	Appr
-		RELEASED	12/10/04	
A		REDESIGNED	8/2/06	
B		UPDATED & CORRECTED DIMENSIONS	11/03/06	
C		REVISED CURRENT RATING	3/20/09	
D		REDRAWN	1/17/12	
E		REVISED DIM.	5/31/12	



PART NO.	CENTER PIN DIA.
ADC-010-1	.079 [2.00]
ADC-010-2	.098 [2.50]
ADC-010-5	.092 [2.35]

SPECIFICATIONS:

Material:  
 Insulator: PBT, Glass reinforced, rated UL 94V-0  
 Insulator color: Black  
 Center Pin: Brass, Nickel plated  
 Contacts: Copper Alloy  
 Plating:  
 Silver over Nickel underplate

Electrical:  
 Operating voltage: 20 VDC max.  
 Current rating: 3 Amp max.  
 Contact resistance: 30 mohms max. initial  
 Insulation resistance: 100 Mohms min.  
 Dielectric withstanding voltage: 500 VAC for 1 minute  
 Temperature Rating:  
 Operating temperature: -20°C to +70°C  
 Environmental:  
 Lead free, RoHS compliant



UNLESS OTHERWISE SPECIFIED  
 ALL DIMENSIONS ARE INCHES [MM]  
 TOLERANCES: EXCEPT AS NOTED  
 INCHES Holes ±.10  
 .XX ±.020 ØXX ±.015  
 .XXX ±.015 ØXXX ±.010

**ADAM TECH**  
 909 Railway Avenue, Union, NJ 07083  
 Phone: 908-687-5000 Fax: 908-687-5710

APPROVALS	DATE
DRAWN SS	10/4/04
CHECKED	
APPROVED	

SIZE	PART NO.	TITLE
X	ADC-010-X	DC POWER JACK

REF.	SCALE	WTS	SHEET	1 OF 1
S0002C			1	1