

6

5

4

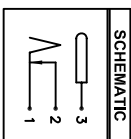
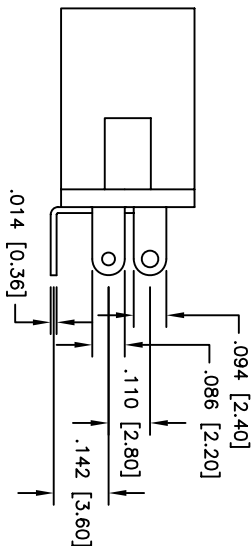
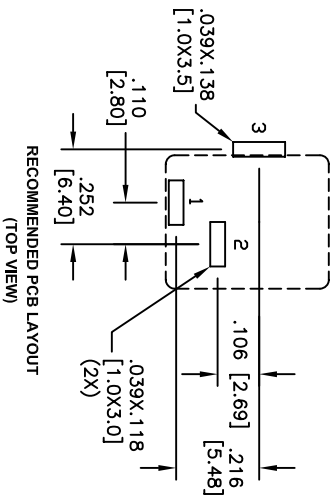
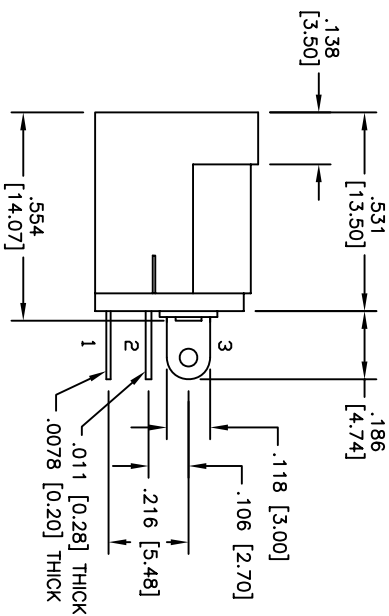
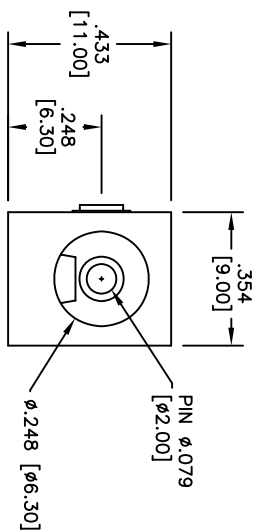
3

2

1

APPROVED: _____
 DATE: _____ TITLE: _____

Rev	AWO #	Description	Date	Appr
-	6502	RELEASED	4/10/06	
A	6502	REDRAWN AND ADDED TERM DIM.	4/20/06	
B	6502	REVISED DIMENSIONS	5/30/06	



SPECIFICATIONS:

Material: Insulator: Hi-Temp Nylon, Glass reinforced, rated UL 94V-0
 Insulator color: Black
 Center Pin: Brass, Nickel plated
 Contacts: Copper Alloy
 Plating: Silver over Nickel underplate
Electrical:
 Operating voltage: 12 VDC max.
 Current rating: 1 Amp max.
 Contact resistance: 30 mohms max. initial
 Insulation resistance: 50 mohms min.
 Dielectric withstanding voltage: 250 VAC for 1 minute
 Temperature Rating: Operating temperature: -25°C to +70°C
Environmental:
 Lead free, RoHS compliant
 Recommended soldering temp: 260°C for 5 sec.



ADAM TECH

909 Rahway Avenue, Union, NJ 07083
 Phone: 908-687-5000 Fax: 908-687-5710

HI TEMP DC POWER JACK, Ø 2.00mm PIN

UNLESS OTHERWISE SPECIFIED ALL DIMENSIONS ARE INCHES [MM]	
TOLERANCES: EXCEPT AS NOTED	
INCHES	HOLDS
.X ±.10	±.10
.XX ±.020	±.015
.XXX ±.015	±.010
APPROVALS	DATE
DRAWN LFLJ	4/10/06
CHECKED	
APPROVED	

TITLE		PART NO.		REV.
HI TEMP DC POWER JACK, Ø 2.00mm PIN		ADC-010A-1-HT		B
SIZE	X	SCALE	NTS	SHEET 1 OF 1

6

5

4

3

2

1