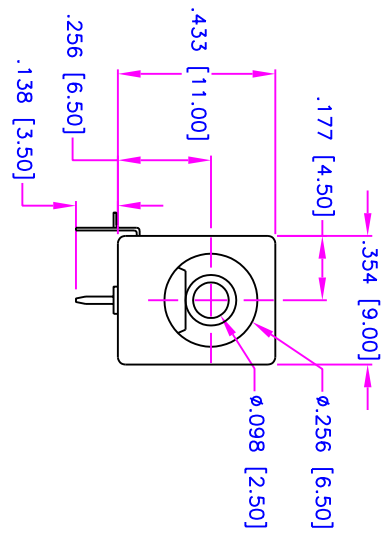
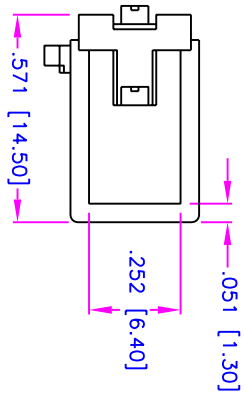
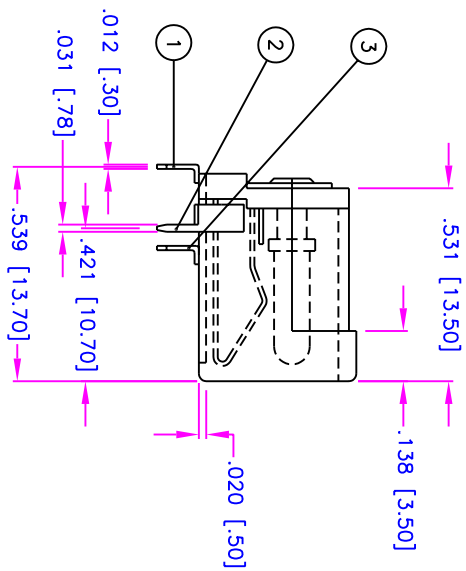
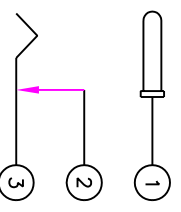
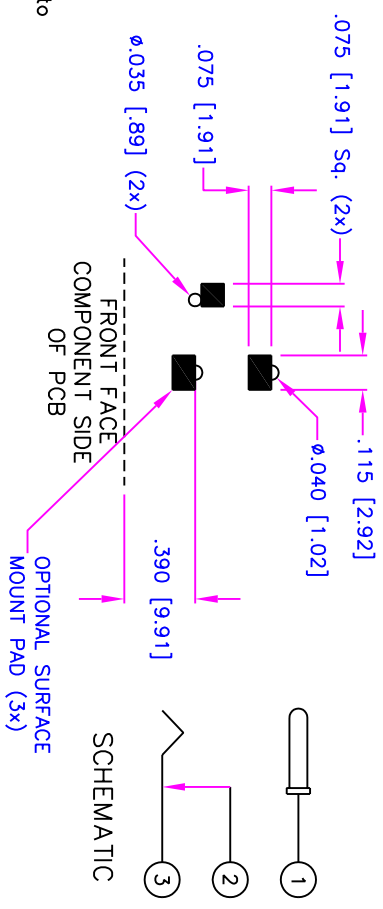


Rev	Description	Date	Appr
0	Preliminary	07/30/97	



PC Board Layout



SCHEMATIC

SPECIFICATIONS:
 Material: Nylon 6/6T UL 94V-0
 Insulator: Nylon 6/6T UL 94V-0
 Contacts: Brass
 Plating: 100 µin Nickel plate to MIL-T-10727, Type 1 with 50 µin copper underplate to MIL-C-14550
 Electrical:
 Operation voltage: 250 VAC max
 Current rating: 1 A max
 Contact resistance: 20 mohm max
 Insulation resistance: 5000 Mohm min @ 1000 VDC between adjacent contacts (75°F and 50% R.H.)
 Dielectric withstanding voltage: 1000 VAC min rms
 Capacitance: 1.5 pF max between adjacent contacts
 Mechanical:
 Insertion force: 7 ozs. max
 Withdrawal force: 4 ozs. min
 Applicable soldering processes: Hand, wave, vapor-phase or IR Reflow
 Environmental:
 Operating temperature: -65°C to +85°C
 Packaging: Plastic tube

ADAM TECH		DESCRIPTION: 2.5 mm Center Pin DC Power Jack	
Dimension in IN [MM]		PART NUMBER: ADC-012-001-SMT1	
Tolerance (Unless Otherwise Specified) .XX ± .01 .XXX ± .005		DRAWN : T.D.	SHEET 1
Date: 07/30/97		APPR : JJJ	LOG 3549
SCALE : NTS		OPTIONAL SURFACE MOUNT PAD (3x)	REF.
		FRONT FACE COMPONENT SIDE OF PCB	REV. A