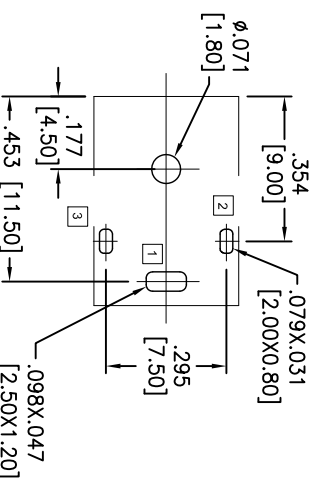
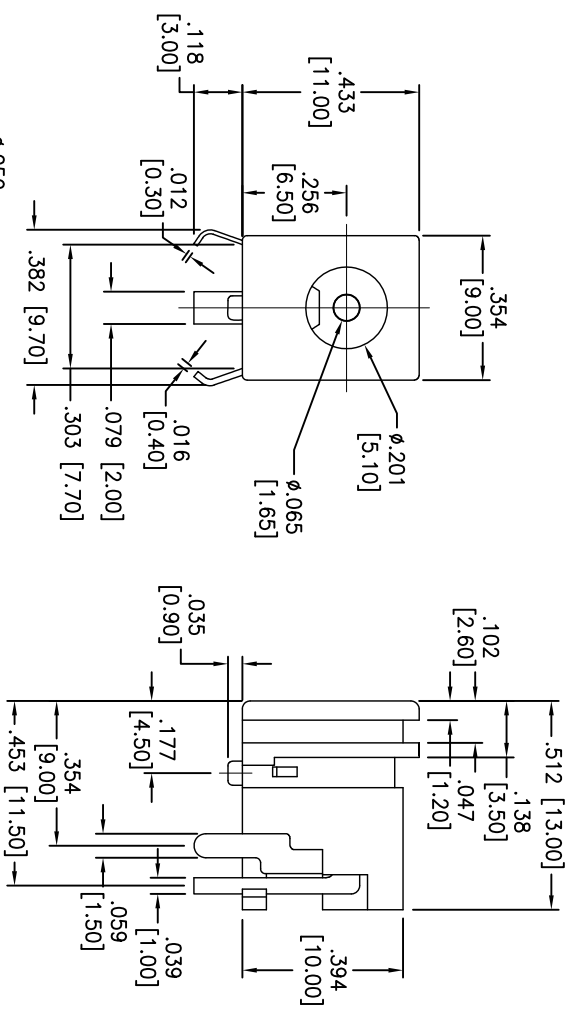
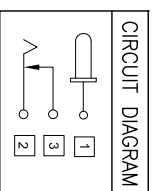
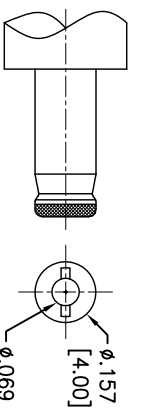
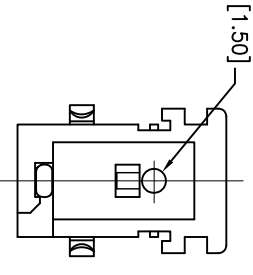


APPROVED: _____ TITLE: _____

Rev	AWO #	Description	Date	Appr
-		RELEASED	9/24/12	



RECOMMENDED PCB LAYOUT



SPECIFICATIONS:

- Material: Insulator: PBT, rated UL 94V-0
- Insulator color: Black
- Center Pin: Brass
- Terminal: Copper Alloy
- Spring: Copper Alloy
- Plating: Silver over Nickel underplate
- Electrical: Operating voltage: 20 VDC max.
- Current rating: 2 Amp max.
- Contact resistance: 30 mohms max. initial
- Insulation resistance: 100 Mohms min.
- Dielectric withstanding voltage: 500 VAC for 1 minute
- Temperature Rating: Operating temperature: -20°C to +70°C
- Environmental: Lead free, RoHS compliant

ADAM TECH
 909 Rahway Avenue, Union, NJ 07083
 Phone: 908-687-5000 Fax: 908-687-5710

UNLESS OTHERWISE SPECIFIED ALL DIMENSIONS ARE INCHES [MM] TOLERANCES: EXCEPT AS NOTED	
X .XX ± .10	ØX ± .015
.XX ± .020	ØXXX ± .010
.XXX ± .015	ØXXX ± .010
APPROVALS	
DRAWN AY	DATE 9/24/12
CHECKED CC	DATE 9/24/12
APPROVED	

SIZE X	PART NO. ADC-013-9	REV. -
REF: S00002C	SCALE: NTS	SHEET 1 OF 1

