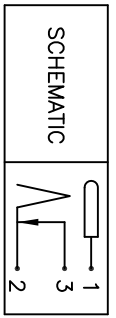
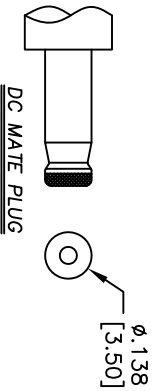
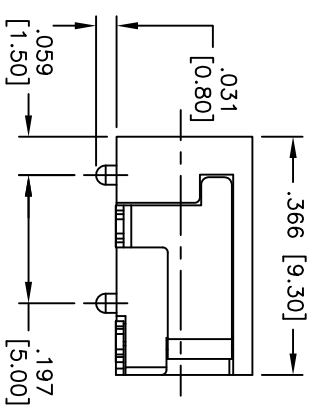
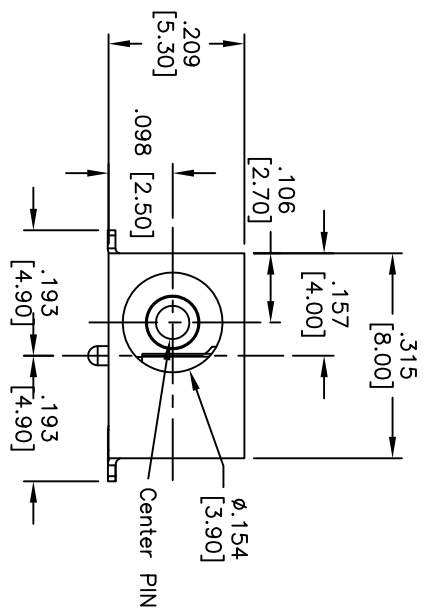
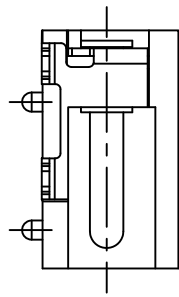


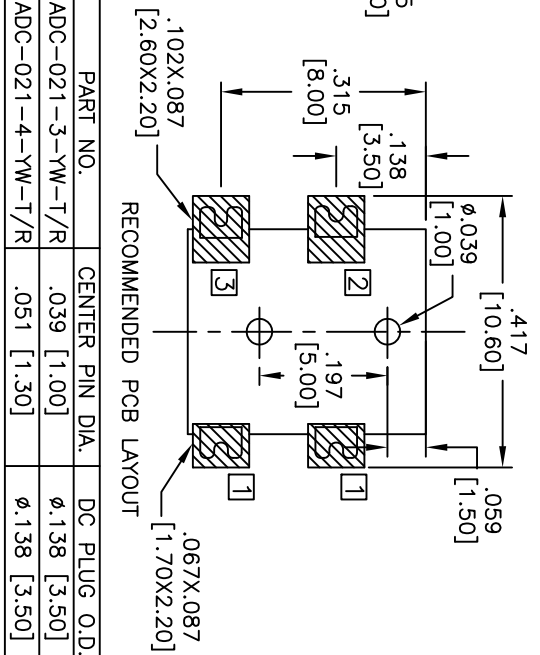
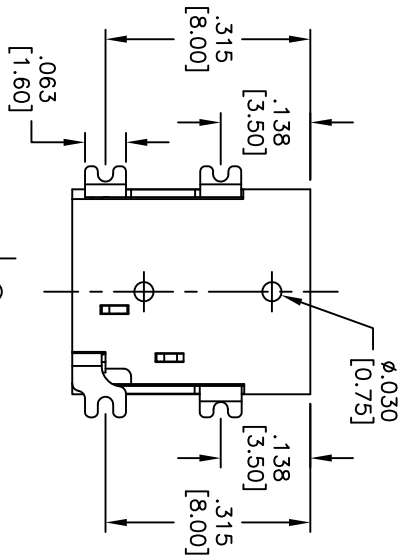
Rev	AWO #	Description	Date	Appr
-		RELEASED	2/18/13	

APPROVED: _____
 DATE: _____ TITLE: _____



PACKAGED ON TAPE & REEL

SPECIFICATIONS:
 Material: Insulator: Hi-Temp thermoplastic, rated UL 94V-0
 Insulator color: Yellow
 Center Pin: Brass, Nickel plated
 Contacts: Copper Alloy
 Plating: Silver over Nickel underplate
 Electrical: Operating voltage: 18 VDC max.
 Current rating: 3 Amp max.
 Contact resistance: 30 mohms max. initial
 Insulation resistance: 100 Mohms min.
 Dielectric withstanding voltage: 500 VAC for 1 minute
 Temperature Rating: Operating temperature: -25°C to +70°C
 Environmental: Lead free, RoHS compliant



PART NO.	CENTER PIN DIA.	DC PLUG O.D.
ADC-021-3-YW-T/R	.039 [1.00]	φ.138 [3.50]
ADC-021-4-YW-T/R	.051 [1.30]	φ.138 [3.50]

ADAM TECH

909 Railway Avenue, Union, NJ 07083
 Phone: 908-687-5000 Fax: 908-687-5710

TITLE: DC POWER JACK, 1.00mm, 1.30mm CENTER PIN
 INSULATOR COLOR YELLOW

UNLESS OTHERWISE SPECIFIED ALL DIMENSIONS ARE INCHES [MM]		TOLERANCES EXCEPT AS NOTED INCHES		HOLE SIZES		DATE		TITLE	
.X	± .10	ØXX	± .10			APPROVALS	DATE	SIZE	PART NO.
.XX	± .020	ØXXX	± .015			DRAWN	2/18/13	X	ADC-021-X-YW-T/R
.XXX	± .015	ØXXXX	± .010			CHECKED	2/18/13		
						APPROVED		REF:	S000020

