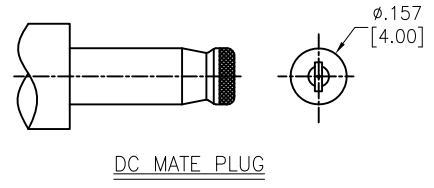
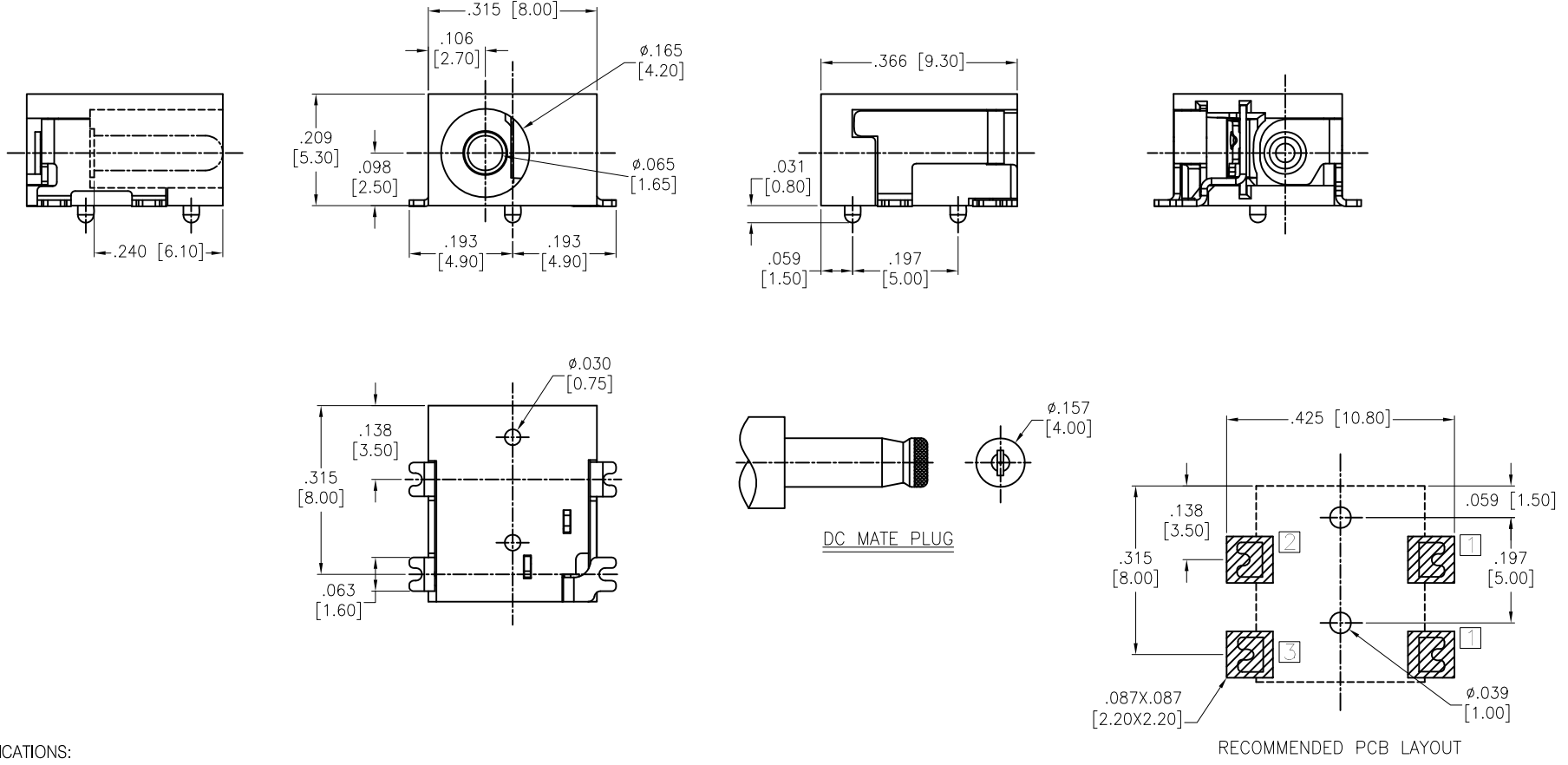


Rev	AWO #	Description	Date	Appr
-		RELEASED	10/20/15	

APPROVED: _____
DATE: _____ TITLE: _____



SPECIFICATIONS:
Material:
Insulator: Hi-Temp thermoplastic, rated UL 94V-0
Insulator color: Black
Contacts: Copper Alloy
Plating:
Silver over Copper underplate overall
Electrical:
Operating voltage: 18 VDC
Current rating: 5 A
Contact resistance: 30 mohms max
Insulation resistance: 100 Mohms min @ 500 VDC
Dielectric withstanding voltage: 500 VAC for 1 minute
Temperature Rating:
Operating temperature Range: -40°C to +85°C
Environmental:
Lead free, RoHS compliant.



UNLESS OTHERWISE SPECIFIED ALL DIMENSIONS ARE INCHES [MM] TOLERANCES: EXCEPT AS NOTED		
INCHES HOLES		
.X ± .10	ϕ .X ± .10	
.XX ± .020	ϕ .XX ± .015	
.XXX ± .015	ϕ .XXX ± .010	
APPROVALS		DATE
DRAWN	HR	10/20/15
CHECKED	LL	10/20/15
APPROVED		

ADAM TECH
909 Rahway Avenue, Union, NJ 07083
Phone: 908-687-5000 Fax: 908-687-5710

TITLE: DC POWER JACK, 1.65MM CENTER PIN

SIZE X	PART NO. ADC-021H-9-WOT	REV. -
REF: S00002C	SCALE: NTS	SHEET 1 OF 1