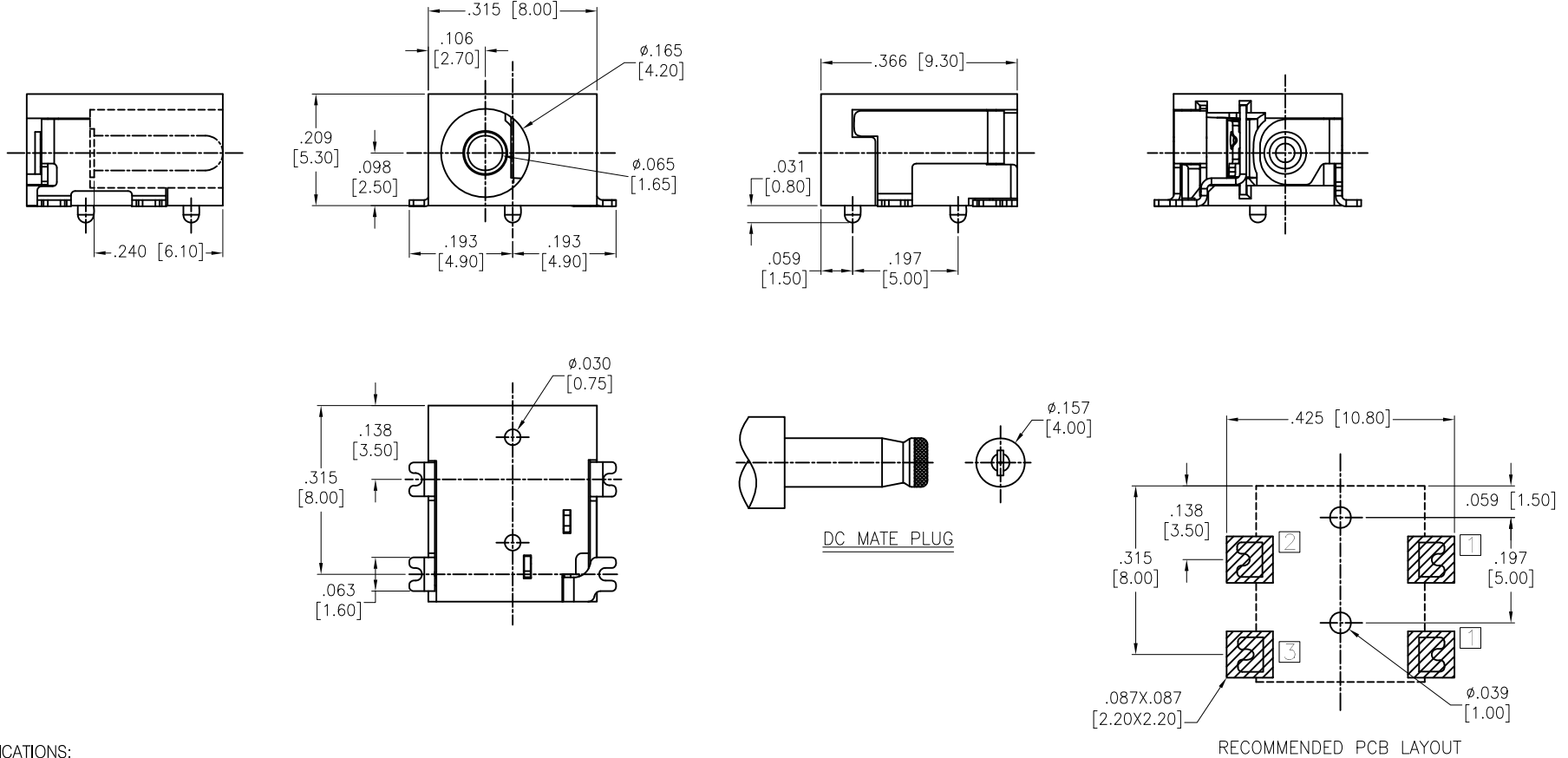


APPROVED: _____
 DATE: _____ TITLE: _____

Rev	AWO #	Description	Date	Appr
-		RELEASED	12/20/10	
A		UPDATED DRAWING	10/20/15	HR/LL



SPECIFICATIONS:

Material:
 Insulator: Hi-Temp thermoplastic, rated UL 94V-0
 Insulator color: Black
 Contacts: Copper Alloy
 Plating:
 Silver over Copper underplate overall
 Electrical:
 Operating voltage: 18 VDC
 Current rating: 5 A
 Contact resistance: 30 mohms max
 Insulation resistance: 100 Mohms min @ 500 VDC
 Dielectric withstanding voltage: 500 VAC for 1 minute
 Temperature Rating:
 Operating temperature Range: -20°C to +70°C
 Environmental:
 Lead free, RoHS compliant.



UNLESS OTHERWISE SPECIFIED ALL DIMENSIONS ARE INCHES [MM] TOLERANCES: EXCEPT AS NOTED		
INCHES		
.X ± .10	∅.X ± .10	HOLES
.XX ± .020	∅.XX ± .015	
.XXX ± .015	∅.XXX ± .010	
APPROVALS		DATE
DRAWN	AY	12/20/10
CHECKED	AC	12/20/10
APPROVED		

ADAM TECH		
909 Rahway Avenue, Union, NJ 07083 Phone: 908-687-5000 Fax: 908-687-5710		
TITLE DC POWER JACK, 1.65MM CENTER PIN		
SIZE X	PART NO. ADC-021H-9	REV. A
REF: S00002C	SCALE: NTS	SHEET 1 OF 1