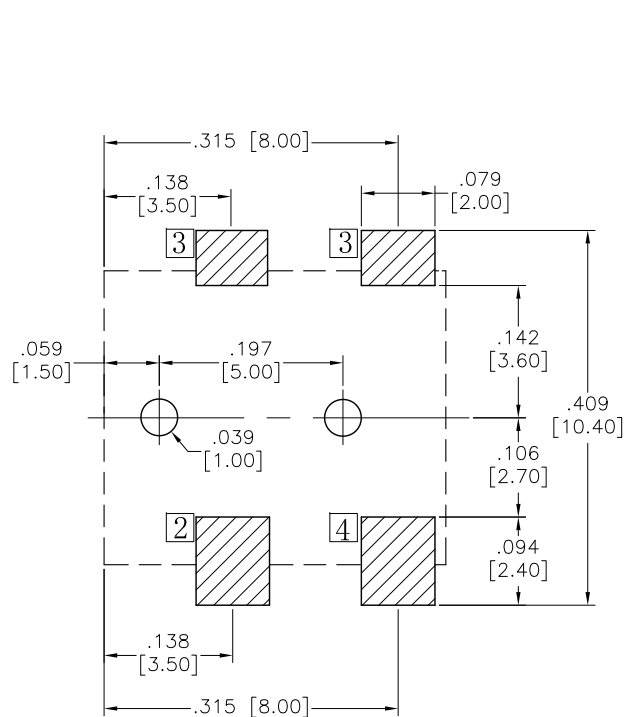
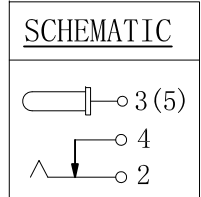
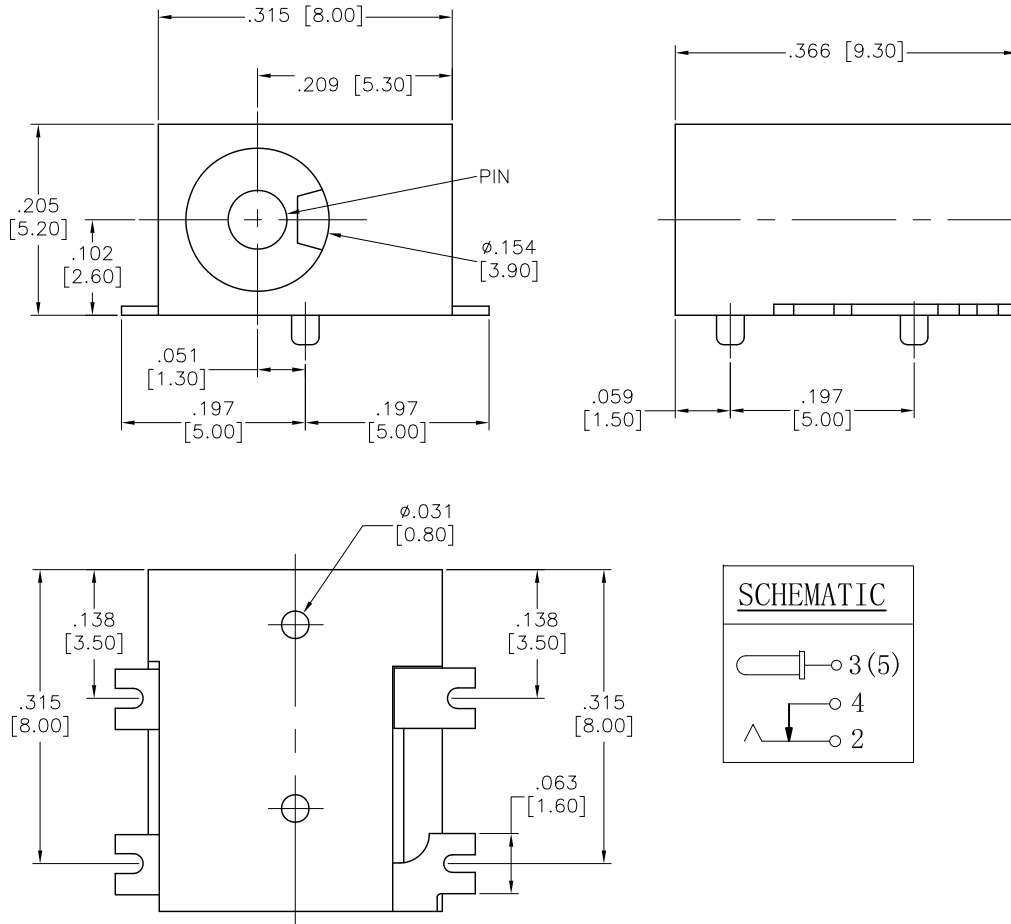


APPROVED: _____
 DATE: _____ TITLE: _____

| | | | | |
|-----|-------|-------------|---------|------|
| Rev | AWO # | Description | Date | Appr |
| - | | RELEASED | 8/13/15 | |



RECOMMENDED P.C.B LAYOUT



| PART NO. | CENTER PIN DIA. |
|----------------|-----------------|
| ADC-021S-3-T/R | .039 [1.00] |
| ADC-021S-4-T/R | .051 [1.30] |

SPECIFICATIONS:

Material:
 Insulator: Hi-Temp thermoplastic, rated UL 94V-0
 Insulator color: Black
 Center Pin: Brass, Nickel plated
 Contacts: Brass
 Spring: SUS 301, Silver plated
 Plating:
 Silver over Nickel underplate
 Electrical:
 Rating: DC 30V, 0.5 A.
 Contact resistance: 30 mohms max.
 Insulation resistance: 100 Mohms min @ 250 VDC.
 Dielectric withstanding voltage: 500 VAC
 Environmental:
 Lead free, RoHS compliant



UNLESS OTHERWISE SPECIFIED
 ALL DIMENSIONS ARE INCHES [MM]
 TOLERANCES: EXCEPT AS NOTED
 INCHES HOLES

| | | | |
|------|--------|------|--------|
| .X | ± .10 | ∅X | ± .10 |
| .XX | ± .020 | ∅XX | ± .015 |
| .XXX | ± .015 | ∅XXX | ± .010 |

ADAM TECH

909 Rahway Avenue, Union, NJ 07083
 Phone: 908-687-5000 Fax: 908-687-5710

| APPROVALS | | DATE |
|-----------|----|---------|
| DRAWN | AY | 8/13/15 |
| CHECKED | CH | 8/13/15 |
| APPROVED | | |

| | | |
|--|----------------------------|-----------------|
| TITLE DC POWER JACK, 1.00 & 1.30MM CENTER PIN | | |
| SIZE X | PART NO. ADC-021S-X-T/R | REV. - |
| REF: S00102C | SCALE: NTS | SHEET 1 OF 1 |