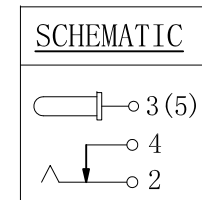
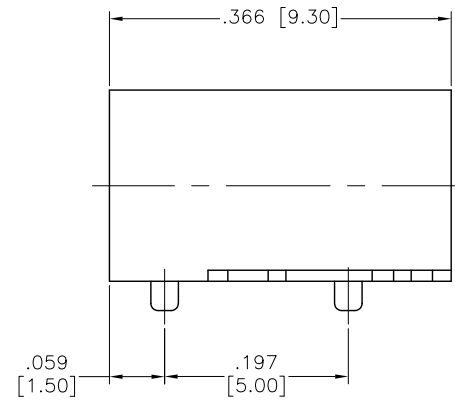
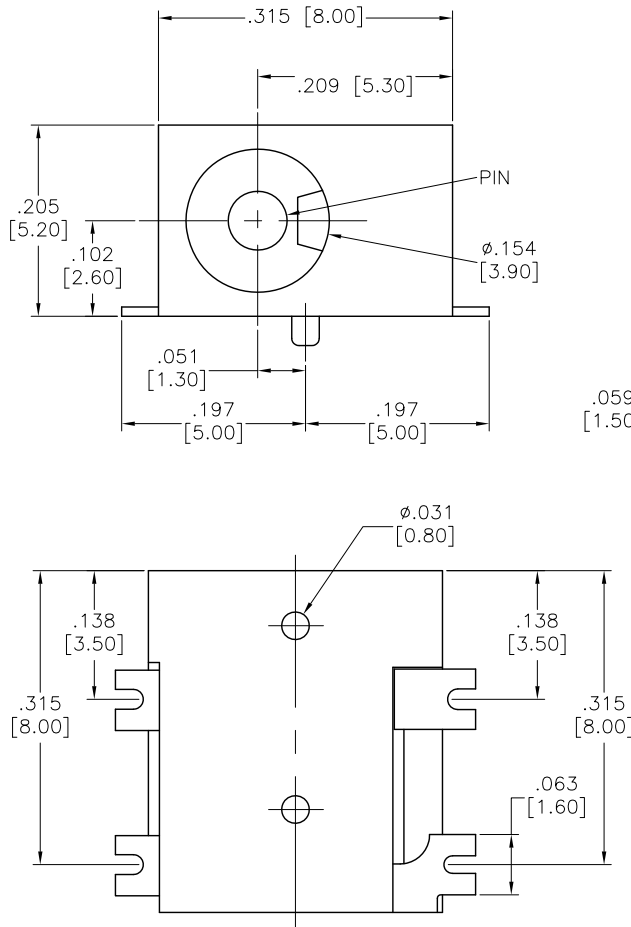
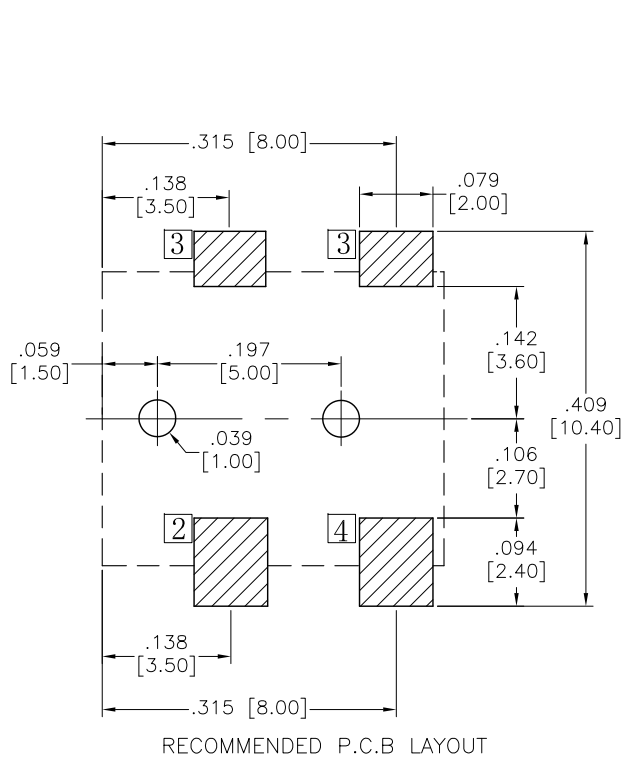


APPROVED: \_\_\_\_\_  
 DATE: \_\_\_\_\_ TITLE: \_\_\_\_\_

Rev	AWO #	Description	Date	Appr
-		RELEASED	8/13/15	



PART NO.	CENTER PIN DIA.
ADC-021S-3	.039 [1.00]
ADC-021S-4	.051 [1.30]

**SPECIFICATIONS:**

Material:  
 Insulator: Hi-Temp thermoplastic, rated UL 94V-0  
 Insulator color: Black  
 Center Pin: Brass, Nickel plated  
 Contacts: Brass  
 Spring: SUS 301, Silver plated  
 Plating:  
 Silver over Nickel underplate  
 Electrical:  
 Rating: DC 30V, 0.5 A.  
 Contact resistance: 30 mohms max.  
 Insulation resistance: 100 Mohms min @ 250 VDC.  
 Dielectric withstanding voltage: 500 VAC  
 Environmental:  
 Lead free, RoHS compliant



UNLESS OTHERWISE SPECIFIED  
 ALL DIMENSIONS ARE INCHES [MM]  
 TOLERANCES: EXCEPT AS NOTED

INCHES		HOLES	
.X	± .10	Ø.X	± .10
.XX	± .020	Ø.XX	± .015
.XXX	± .015	Ø.XXX	± .010

APPROVALS		DATE
DRAWN	AY	8/13/15
CHECKED	CH	8/13/15
APPROVED		

**ADAM TECH**  
 909 Rahway Avenue, Union, NJ 07083  
 Phone: 908-687-5000 Fax: 908-687-5710

TITLE: DC POWER JACK, 1.00 & 1.30MM CENTER PIN

SIZE	PART NO.	REV.
X	ADC-021S-X	-

REF: S00102C SCALE: NTS SHEET 1 OF 1