

6

5

4

3

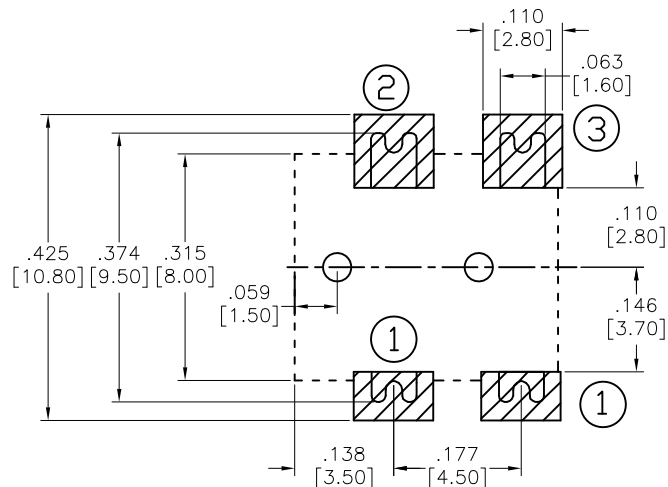
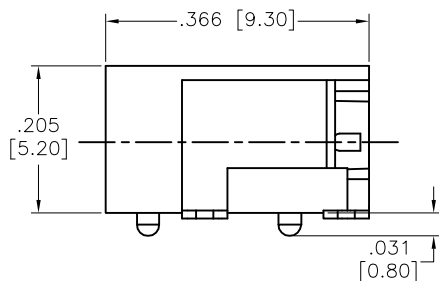
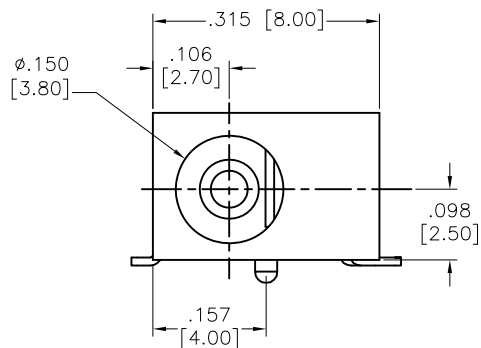
2

1

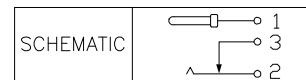
APPROVED: _____

DATE: _____ TITLE: _____

Rev	AWO #	Description	Date	Appr
-		RELEASED	8/22/16	



RECOMMENDED P.C.B LAYOUT (BOTTOM VIEW)



PART NO.	CENTER PIN DIA.
ADC-021SA-3	.039 [1.00]
ADC-021SA-4	.051 [1.30]

SPECIFICATIONS:

Material:
 Insulator: Hi-Temp thermoplastic, rated UL 94V-0
 Insulator color: Black
 Center Pin: Brass, Nickel plated
 Contacts: Copper Alloy, Tin plated
 Electrical:
 Voltage rating: 24 VDC.
 Current rating: 3.5 Amp.
 Contact resistance: Plug to Contacts: 50 mohms max.
 Plug to Ground: 30 mohms max.
 Insulation resistance: 100 Mohms min @ 500 VDC
 Dielectric withstanding voltage: 500 VAC for 1 minute
 Temperature Rating:
 Operating temperature: -25°C to +85°C
 Environmental:
 Lead free, RoHS compliant



UNLESS OTHERWISE SPECIFIED
 ALL DIMENSIONS ARE INCHES [MM]
 TOLERANCES: EXCEPT AS NOTED
 INCHES HOLES
 .X ± .10 Ø.X ± .10
 .XX ± .020 Ø.XX ± .015
 .XXX ± .015 Ø.XXX ± .010

ADAM TECH

909 Rahway Avenue, Union, NJ 07083
Phone: 908-687-5000 Fax: 908-687-5710

APPROVALS		DATE
DRAWN	AY	8/22/16
CHECKED	SC	8/22/16
APPROVED		

TITLE DC POWER JACK, 1.00 & 1.30MM CENTER PIN		
SIZE X	PART NO. ADC-021SA-X	REV. -
REF: S00013C	SCALE: NTS	SHEET 1 OF 1

6

5

4

3

2

1