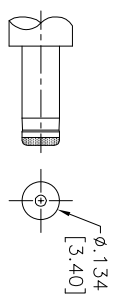
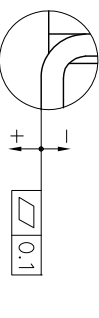
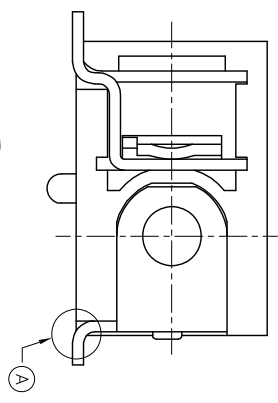


Rev	AWO #	Description	Date	Appr
-		RELEASED	7/13/15	

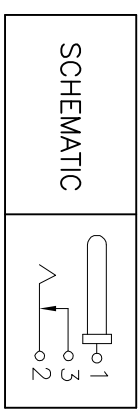
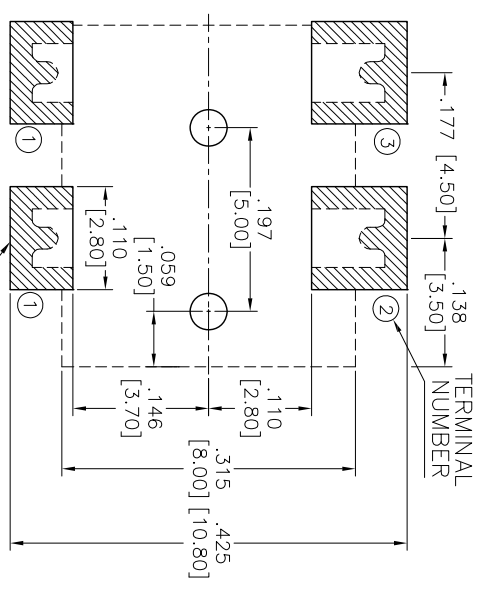
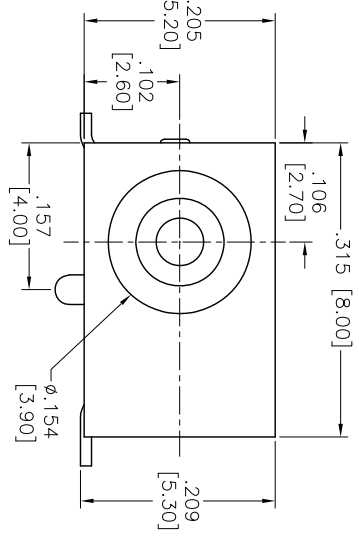
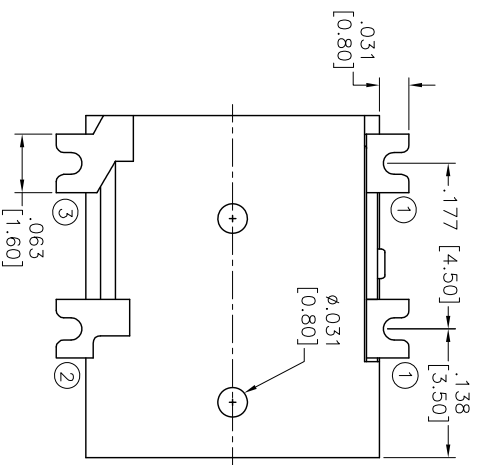
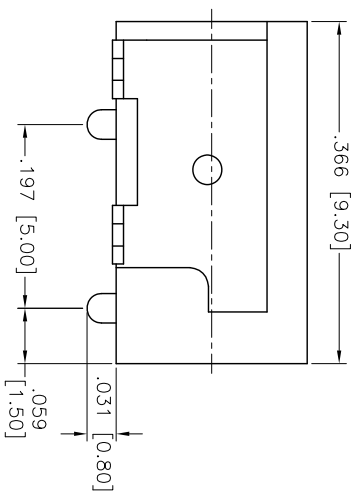
APPROVED: _____
 DATE: _____ TITLE: _____



PART NO.	CENTER PIN DIA.
ADC-021T-3-T/R	.039 [1.00]
ADC-021T-4-T/R	.051 [1.30]

SPECIFICATIONS:

Material:
 Insulator: Hi-Temp thermoplastic, rated UL 94V-0
 Insulator color: Black
 Center Pin: Copper Alloy, Nickel plated
 Contacts: Copper Alloy, Silver plated
 Plating:
 Silver over Nickel underplate
Electrical:
 Operating voltage: 16 VDC max.
 Current rating: 3.5 Amp max.
 Contact resistance: 50 mohms max. initial
 Insulation resistance: 100 Mohms min @ 500VDC
 Dielectric withstanding voltage: 500 VAC for 1 minute
 Temperature Rating:
 Operating temperature: -25°C to +85°C
 Environmental:
 Lead free, RoHS compliant



PACKAGED ON TAPE & REEL

UNLESS OTHERWISE SPECIFIED
 ALL DIMENSIONS ARE INCHES [MM]
 TOLERANCES: EXCEPT AS NOTED
 INCHES: .X ± .10 ØXX ± .015
 .XX ± .020 ØXXX ± .010
 .XXX ± .015 ØXXXX ± .010

ADAM TECH

909 Railway Avenue, Union, NJ 07083
 Phone: 908-687-5000 Fax: 908-687-5710

APPROVALS	DATE	TITLE
DRAWN AY	7/13/15	DC POWER JACK, 1.00 & 1.30MM CENTER PIN
CHECKED KW	7/13/15	
APPROVED		

SIZE	PART NO.	REV.
X	ADC-021T-X-T/R	-

REF: S00021C SCALE: NTS SHEET 1 OF 2



6

5

4

3

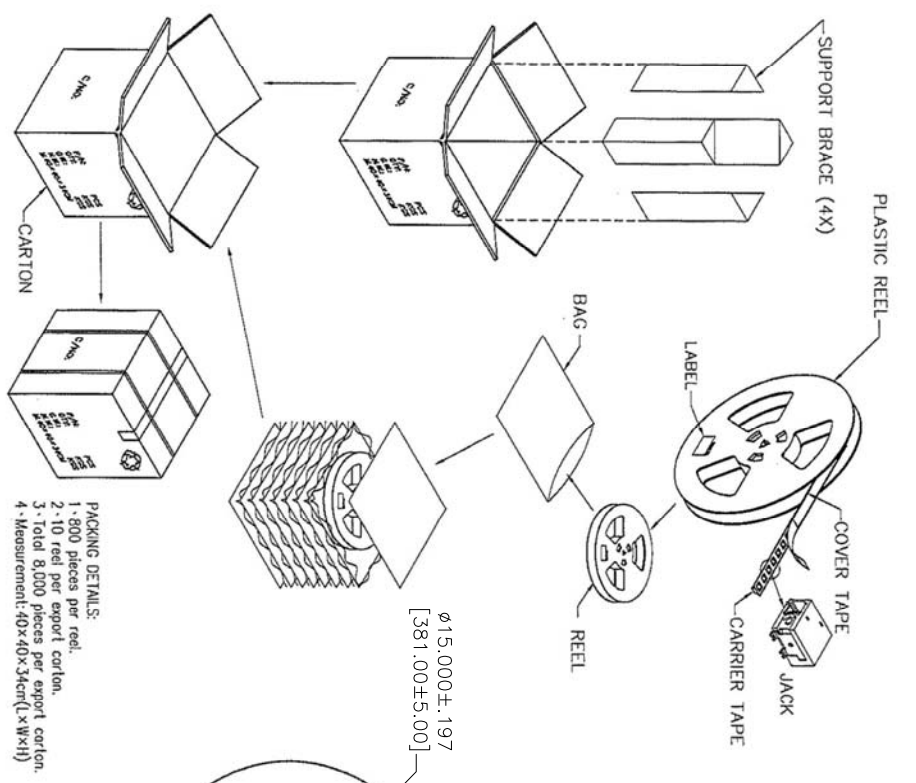
2

1

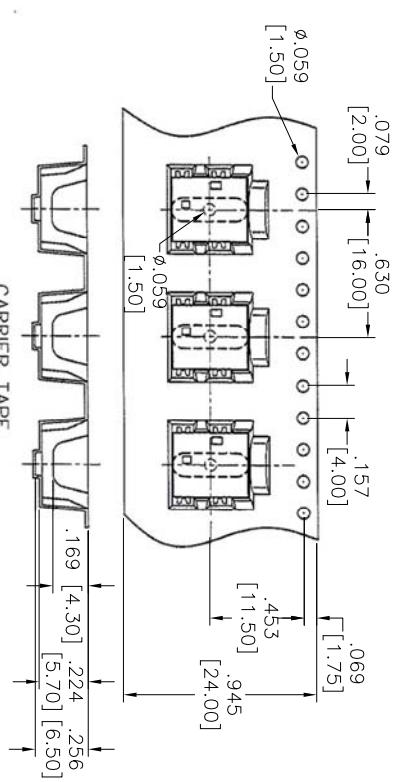
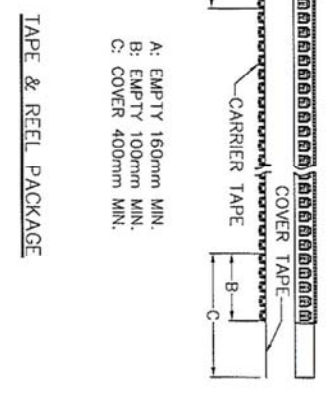
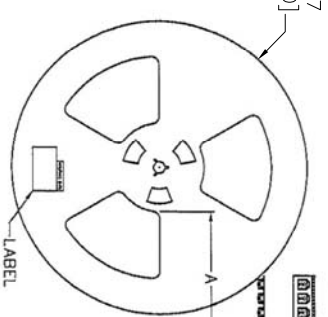
APPROVED: _____

DATE: _____ TITLE: _____

Rev	AWO #	Description	Date	Appr
		SEE SH1 1 OF 2 FOR REVISION		



PACKING DETAILS:
 1 - 800 pieces per reel.
 2 - 10 reel per export carton.
 3 - Total 8,000 pieces per export carton.
 4 - Measurement: 40x40x34cm(LxWxH)



UNLESS OTHERWISE SPECIFIED
 ALL DIMENSIONS ARE IN INCHES [MM]
 TOLERANCES: EXCEPT AS NOTED
 INCHES Holes
 .X ± .10 ϕ X ± .10
 .XX ± .020 ϕ XX ± .015
 .XXX ± .015 ϕ XXX ± .010

ADAM TECH
 909 Rahway Avenue, Union, NJ 07083
 Phone: 908-687-5000 Fax: 908-687-5710

APPROVALS		DATE		TITLE	
DRAWN	AY	7/13/15		DC POWER JACK, 1.00 & 1.30MM CENTER PIN	
CHECKED	KW	7/13/15		SIZE	PART NO.
APPROVED				X	ADC-0211-X-TR
				REF:	S00021C
				SCALE:	NIS
				SHEET:	2 OF 2

A

B

C

D

A

B

C

D

6

5

4

3

2

1