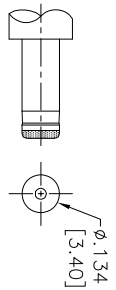
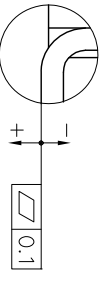
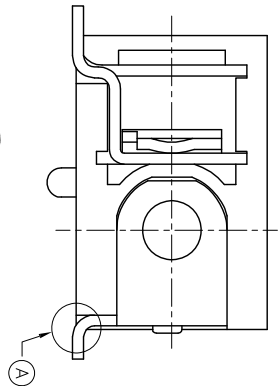


Rev	AWO #	Description	Date	Appr
-		RELEASED	8/18/14	

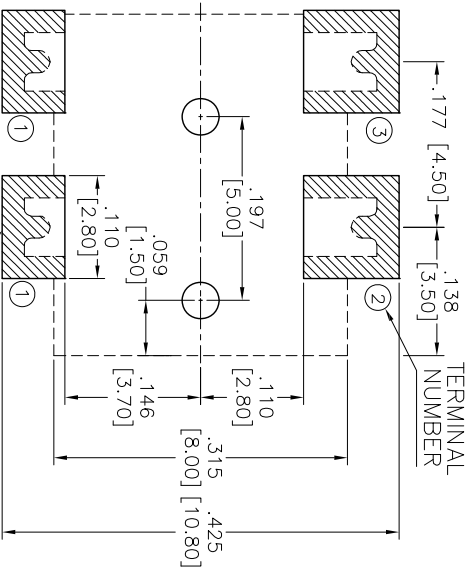
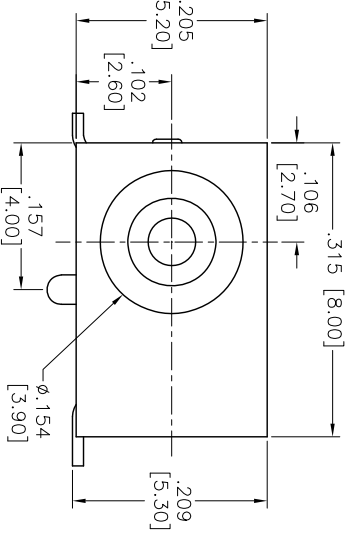
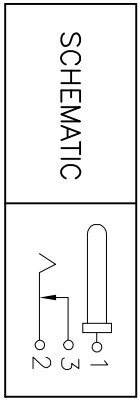
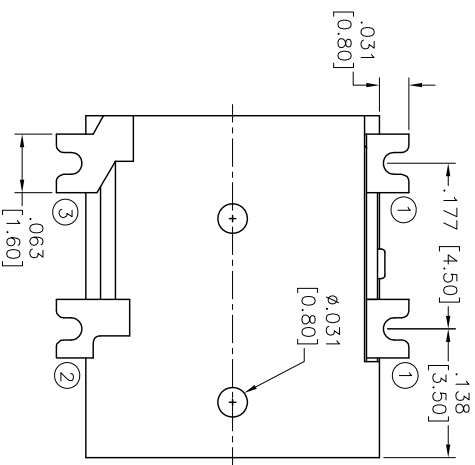
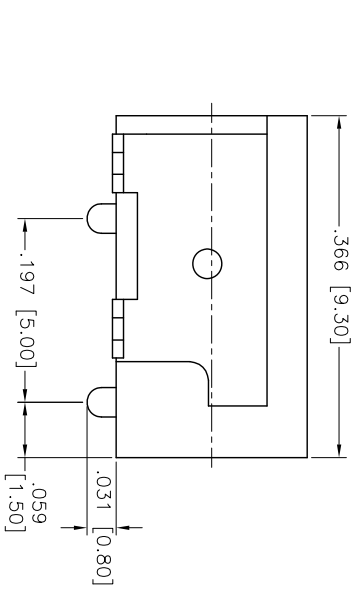
APPROVED: \_\_\_\_\_  
 DATE: \_\_\_\_\_ TITLE: \_\_\_\_\_



PART NO.	CENTER PIN DIA.
ADC-021T-3	.039 [1.00]
ADC-021T-4	.051 [1.30]

**SPECIFICATIONS:**

**Material:**  
 Insulator: Hi-Temp thermoplastic, rated UL 94V-0  
 Insulator color: Black  
 Center Pin: Copper Alloy, Nickel plated  
 Contacts: Copper Alloy, Silver plated  
 Plating:  
 Silver over Nickel underplate  
**Electrical:**  
 Operating voltage: 16 VDC max.  
 Current rating: 3.5 Amp max.  
 Contact resistance: 50 mohms max. initial  
 Insulation resistance: 100 Mohms min @ 500VDC  
 Dielectric withstanding voltage: 500 VAC for 1 minute  
 Temperature Rating:  
 Operating temperature: -25°C to +85°C  
 Environmental:  
 Lead free, RoHS compliant



**ADAM TECH**

909 Railway Avenue, Union, NJ 07083  
 Phone: 908-687-5000 Fax: 908-687-5710

DC POWER JACK, 1.00 & 1.30MM CENTER PIN

UNLESS OTHERWISE SPECIFIED ALL DIMENSIONS ARE INCHES [MM]		TOLERANCES: EXCEPT AS NOTED	
.X	± .10	Ø.X	± .10
.XX	± .020	Ø.XX	± .015
.XXX	± .015	Ø.XXX	± .010
APPROVALS		DATE	
DRAWN	AY	8/18/14	
CHECKED	AC	8/18/14	
APPROVED			
TITLE		SIZE	PART NO.
DC POWER JACK, 1.00 & 1.30MM CENTER PIN		X	ADC-021T-X
REF:	S00021C	SCALE:	NTS
SHEET 1 OF 1		REV.	

