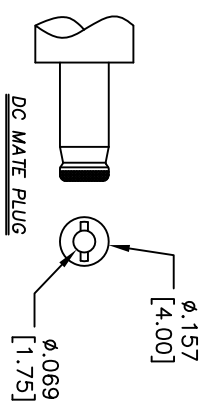
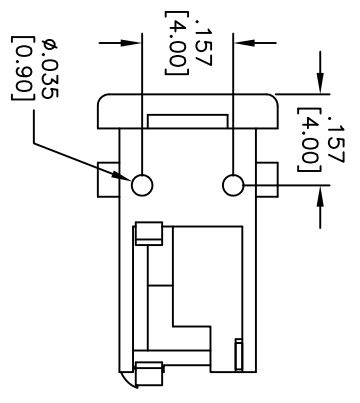
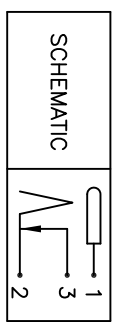
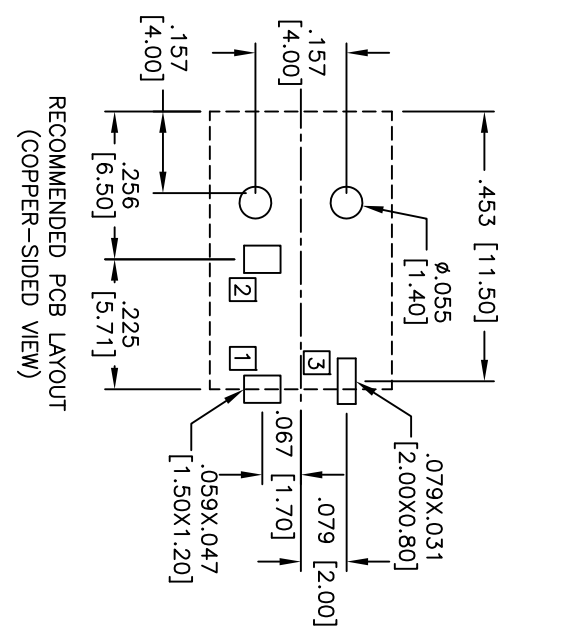
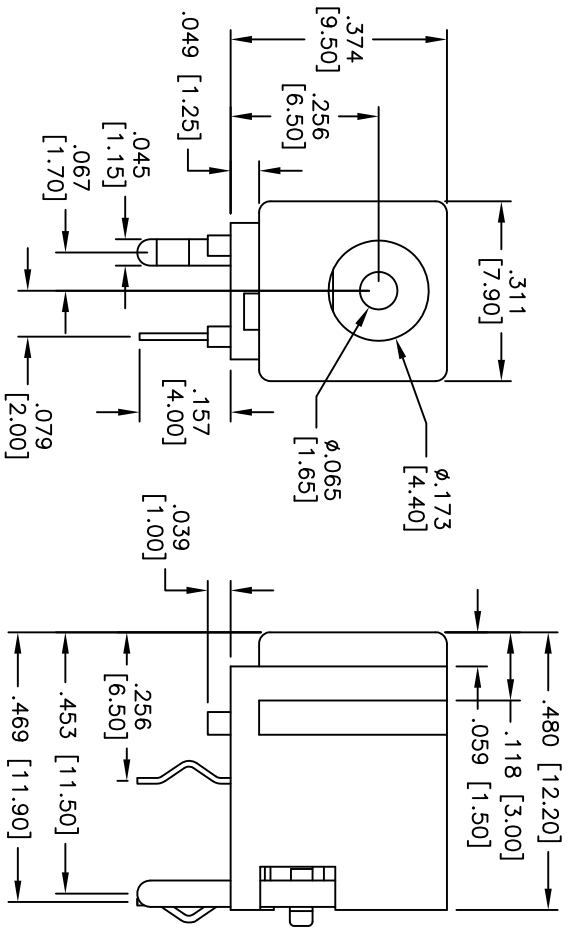


Rev	AWO #	Description	Date	Appr
-		RELEASED	8/28/09	

APPROVED: _____
 DATE: _____ TITLE: _____



SPECIFICATIONS:

Material:

Insulator: PBT, rated UL 94V-0

Insulator color: Black

Center Pin: Brass

Contacts: Copper Alloy

Plating: Tin over Copper underplate overall

Electrical:

Operating voltage: 30 VDC max.

Current rating: 1 Amp max.

Contact resistance: 30 mohms max. initial

Insulation resistance: 100 Mohms min.

Dielectric withstanding voltage: 500 VAC for 1 minute

Temperature Rating: Operating temperature: -25°C to +70°C

Environmental:

Lead free, RoHS compliant

Recommended soldering temp: 235°C for 5 sec.



UNLESS OTHERWISE SPECIFIED
 ALL DIMENSIONS ARE IN INCHES [MM]
 TOLERANCES: EXCEPT AS NOTED
 INCHES Holes
 .X ± .10 ØX ± .10
 .XX ± .020 ØXX ± .015
 .XXX ± .015 ØXXX ± .010

ADAM TECH
 909 Rahway Avenue, Union, NJ 07083
 Phone: 908-687-5000 Fax: 908-687-5710

DRAWN	DY	8/28/09	SIZE	PART NO.	REV.
CHECKED			X	ADC-023A-9	-
APPROVED			REF:	S000020	SHEET 1 OF 1